



DATIM

ESTILO

Product Range

Lever Handle Sets

Pull Handles

Escutcheons

WC Indicators & Signage

Locks & Cylinders

Hinges

Door Closers

Panic Hardware

Access Control

The Estilo Range

Modern day architectural design has tough demands to meet – and it's with these in mind that we created The Estilo range. This high quality collection of stainless steel ironmongery includes lever handles, pull handles, locks, hinges, signs and door closers. Aesthetically, the Estilo range will enhance the architectural appeal of any doorset. But it's also incredibly durable, and has been manufactured to withstand high usage in public buildings such as schools, colleges, hospitals, medical centres, hotels and leisure centres, retail outlets and commercial offices.

The Estilo range gives more choice to architects and specifiers. Its levers and pull handles are available in a variety of traditional shapes, which are further complemented by a selection of modern, contemporary designs. Built to last from the highest quality materials, each Estilo product is also easy to install and is backed by a 10 year guarantee. In other words, an ideal solution to your architectural ironmongery requirements.



Contents



Lever Handles
2-10



Cylinders, Locks
& Latches
20-21



Panic Hardware
26



Pull Handles
11-16



Hinges
22



Access Control
27



Escutcheons
17



Door Bolts
23



Signs
28



Indicators
18-19



Door Closers
24-25



Ancillary
Hardware
29

Finish Option Abbreviations:

Polished Stainless Steel = PSS
Satin Stainless Steel = SSS
Satin Nickel Plated = SNP
Polished Nickel Plated = PNP
Silver = SE
Polished Chrome Plated = PCP
Satin Chrome Plated = SCP
Satin Zinc Plated = SZP

Pull Handle Fixing Abbreviations:

Back to Back = BB
Bolt Through = BT
Covered Rose = CR
Face Fixed = FF

All measurements in mm.
Drawings Not To Scale.

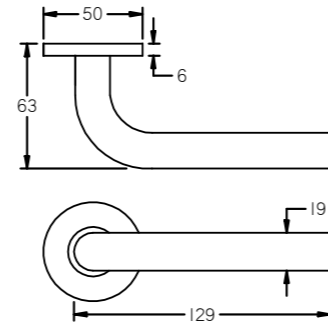


E100

Size Options:
16mm, 19mm

Rose Options:
6mm Sprung, 6mm Unsprung

Finish Options:
SSS, PSS



Matching Pull Handles
See Page 12-13

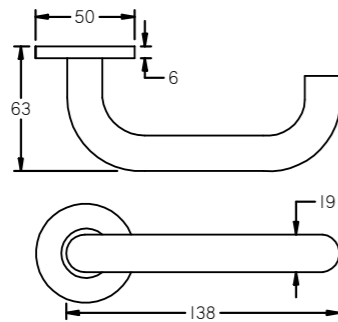


E101

Size Options:
16mm, 19mm, 22mm

Rose Options:
6mm Sprung, 6mm Unsprung

Finish Options:
SSS, PSS

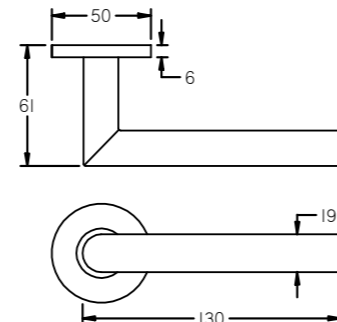


E102

Size:
19mm

Rose Options:
6mm Sprung, 6mm Unsprung

Finish Options:
SSS, PSS

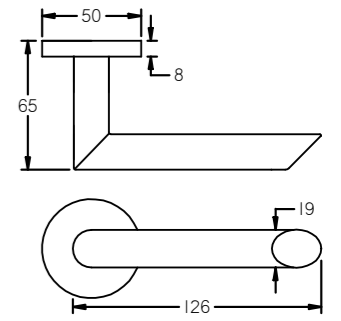


E103

Size:
19mm

Rose Options:
8mm Sprung, 4mm Unsprung

Finish:
SSS, PSS



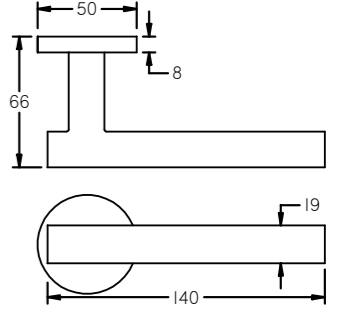
E104

Size:
19mm

Rose Options:
8mm Sprung, 4mm Unsprung

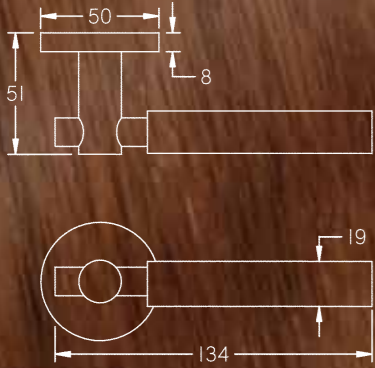
Finish:
SSS, PSS

Matching Pull Handle D264
See Page 12



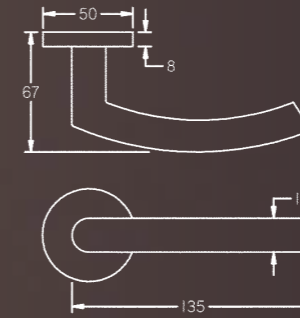
E108

Size:
19mm
Rose Options:
8mm Sprung, 4mm Unsprung
Finish:
SSS, PSS



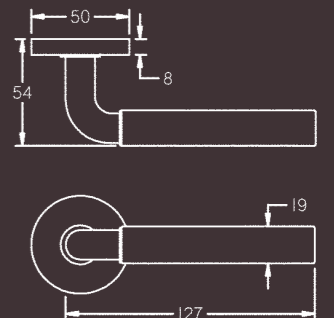
E105

Size:
19mm
Rose Options:
8mm Sprung, 4mm Unsprung
Finish:
SSS, PSS



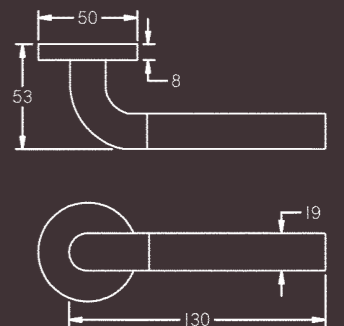
E106

Size:
19mm
Rose Options:
8mm Sprung, 4mm Unsprung
Finish:
SSS with Bead Blast Detail



E107

Size:
19mm
Rose Options:
8mm Sprung, 4mm Unsprung
Finish:
SSS with Knurled Detail

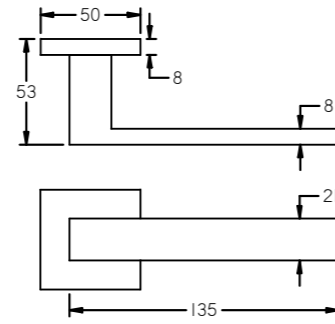




E201

Rose:
8mm Sprung

Finish:
SSS

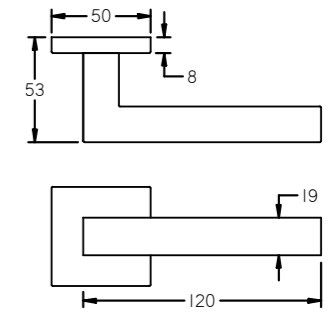


E203

Size:
19mm

Rose:
8mm Sprung

Finish:
SSS

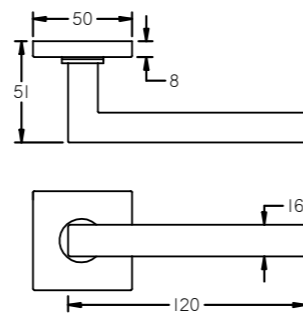


E202

Size:
16mm

Rose:
8mm Sprung

Finish:
SSS



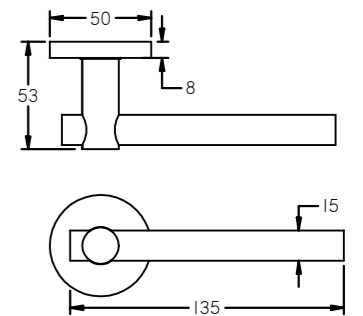
Matching Pull Handle E401
See Page 13

E109

Size:
15mm

Rose Options:
8mm Sprung, 4mm Unsprung

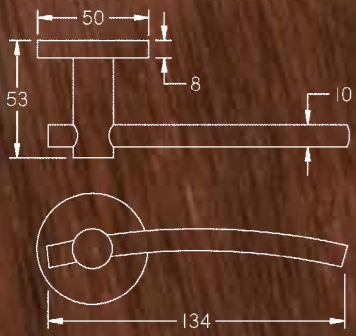
Finish:
SSS



Matching Pull Handle E303
See Page 13

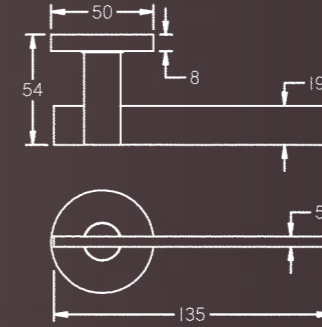
E111

Size:
10mm
Rose Options:
8mm Sprung, 4mm Unsprung
Finish:
SSS



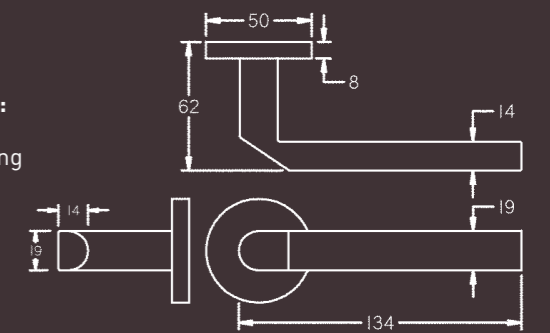
E110

Rose Options:
8mm Sprung,
4mm Unsprung
Finish:
SSS



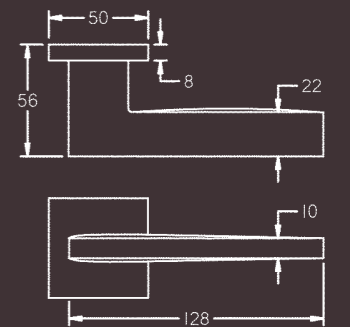
E112

Rose Options:
8mm Sprung,
4mm Unsprung
Finish:
SSS



E204

Rose:
8mm Sprung
Finish Options:
SSS, PSS



Matching Pull Handles
See Page 11-16

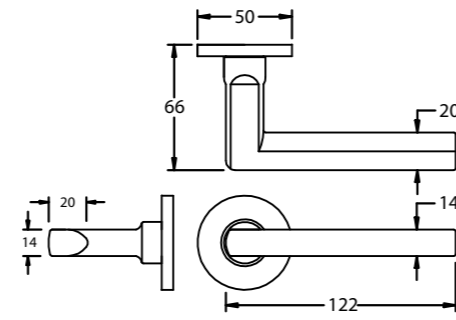
Lever Handles



E113

Rose:
6mm Unsprung

Finish:
SSS



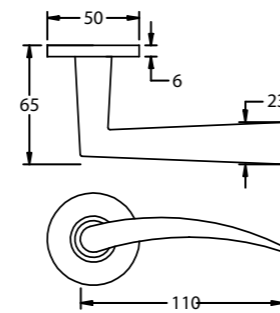
Matching Pull Handle E302
See Page 11



E114

Rose:
6mm Unsprung

Finish:
SSS



Matching Pull Handle E301
See Page 11

Pull Handles

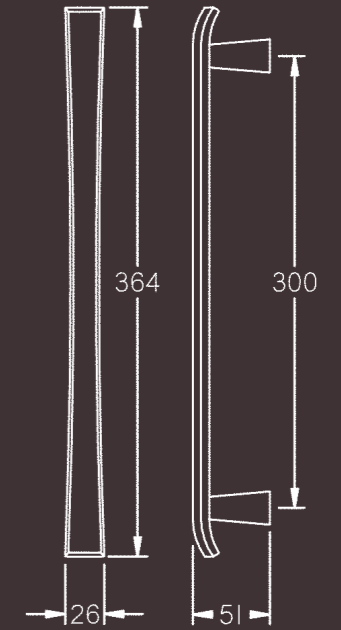


E301

Size Options:
300mm, 600mm

Fixing Options:
BT, CR

Finish:
SSS

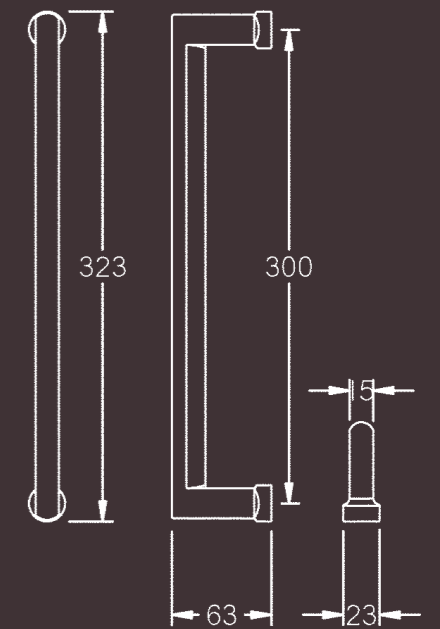


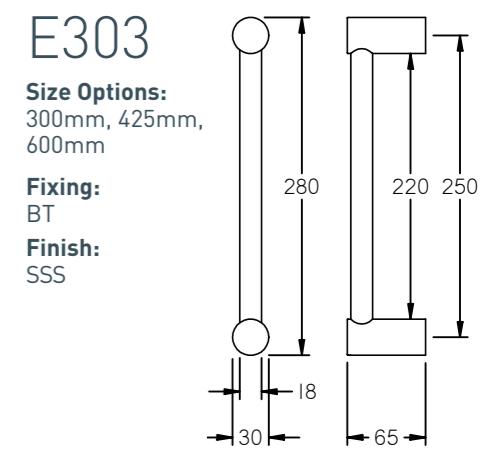
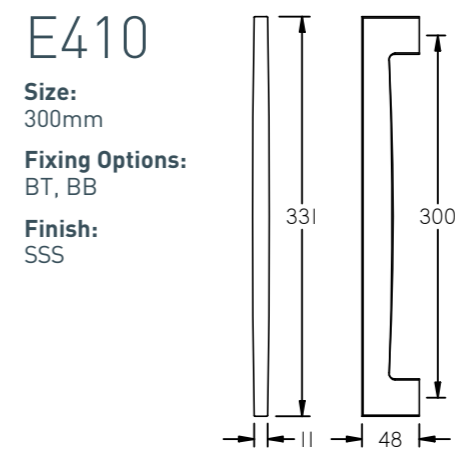
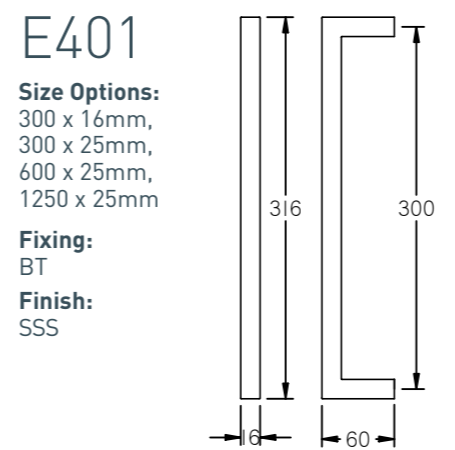
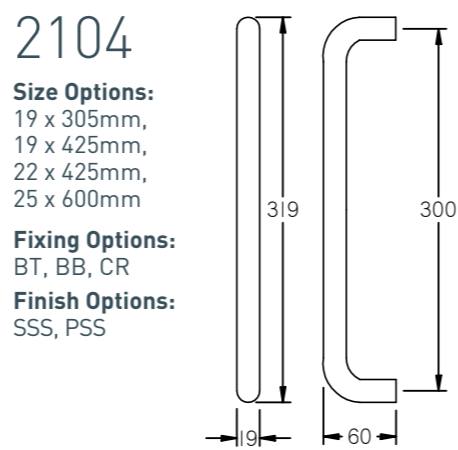
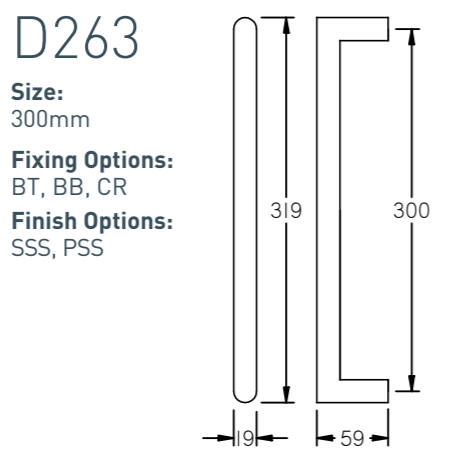
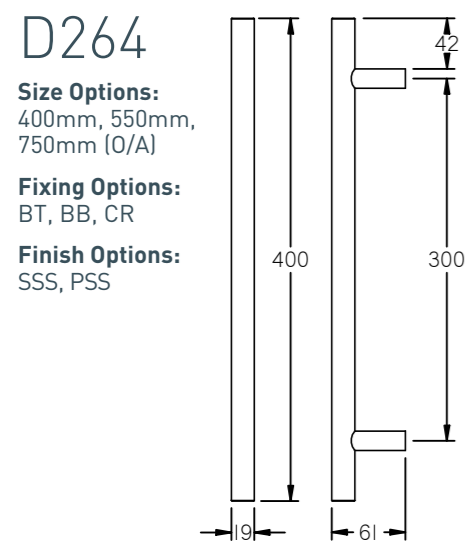
E302

Size Options:
300mm, 600mm

Fixing Options:
BT, CR

Finish:
SSS





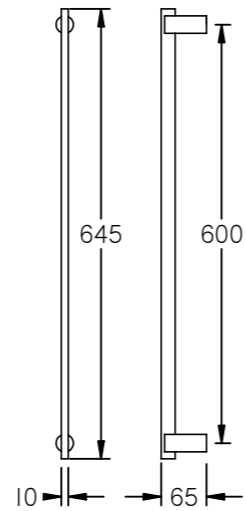


E304

Size Options:
425mm, 600mm

Fixing:
BT

Finish:
SSS

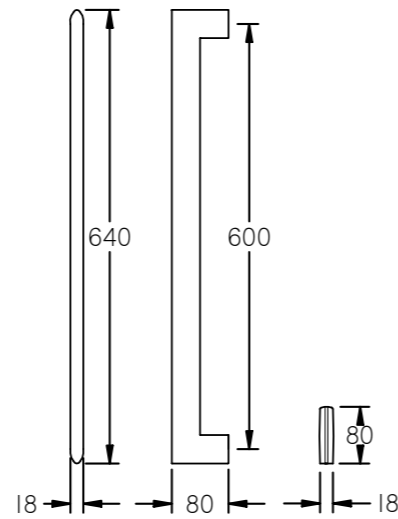


E306

Size:
600mm

Fixing Options:
BT, BB

Finish:
SSS

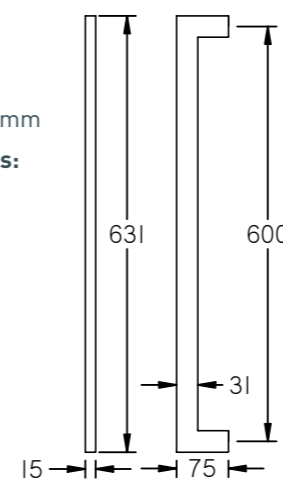


E411

Size Options:
600mm, 1250mm

Fixing Options:
BT, BB

Finish:
SSS

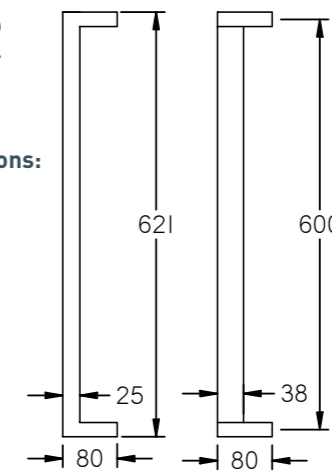


E412

Size:
600mm

Fixing Options:
BT, BB

Finish:
SSS

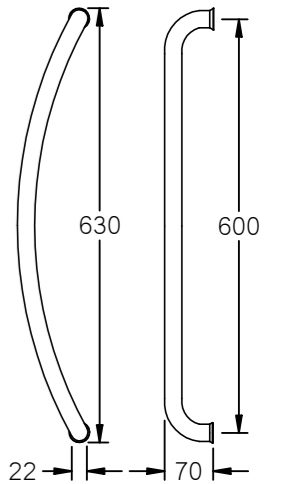


E305

Size:
600mm

Fixing Options:
BT, BB

Finish:
SSS

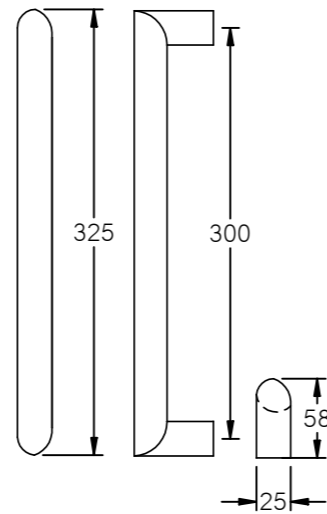


Pull Handles



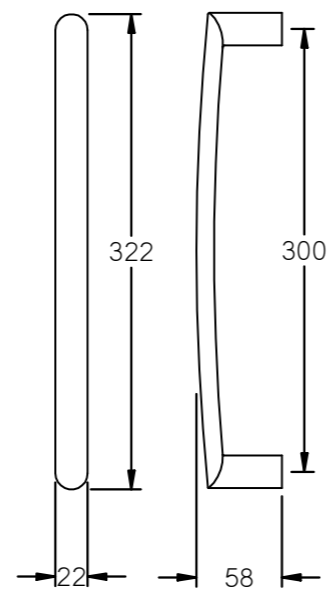
E307

Size:
300mm
Fixing:
BT
Finish:
SSS



E308

Size:
300mm
Fixing Options:
BT, BB
Finish:
SSS

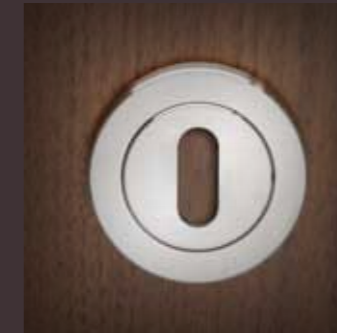


Escutcheons



E350E

Size:
50 x 6mm
Profile:
Euro
Finish Options:
SSS, PSS



E350K

Size:
50 x 6mm
Profile:
Keyhole
Finish Options:
SSS, PSS



E350B

Size:
50 x 6mm
Profile:
Blank
Finish Options:
SSS, PSS



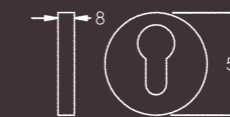
E360

Size Options:
50 x 4mm, 50 x 8mm
Profile:
Keyhole
Finish:
SSS



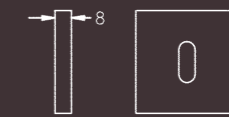
E361

Size Options:
50 x 4mm, 50 x 8mm
Profile:
Euro
Finish:
SSS



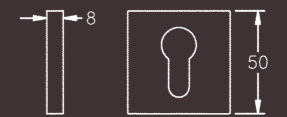
E450

Size:
51 x 51 x 9mm
Profile:
Keyhole
Finish:
SSS



E451

Size:
51 x 51 x 9mm
Profile:
Euro
Finish:
SSS



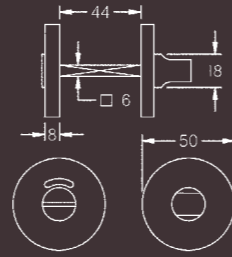


E363

Size:
50 x 8mm

Description:
Thumbturn, Indicator & Release

Finish:
SSS

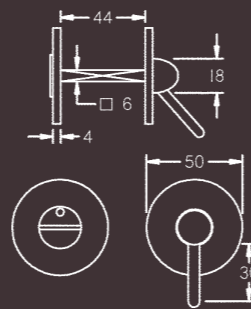


E364

Size:
50 x 4mm

Description:
Thumbturn, Indicator & Release

Finish:
SSS

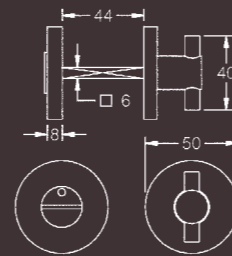


E351

Size:
50 x 8mm

Description:
Thumbturn, Indicator & Release

Finish:
SSS



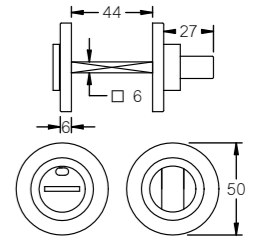
E353

Size:
50 x 6mm

Description:
Thumbturn & Release
c/w Indicator

Option:
E352 - Thumbturn & Release
without Indicator

Finish Options:
SSS, PSS



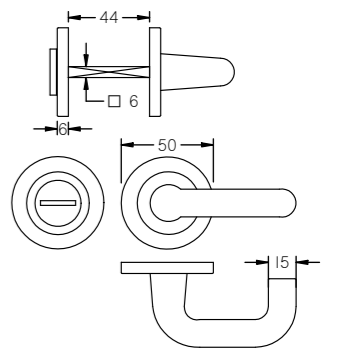
E354

Size:
50 x 6mm

Description:
Thumbturn & Release
without Indicator

Option:
E355 - Thumbturn & Release
c/w Indicator

Finish Options:
SSS, PSS



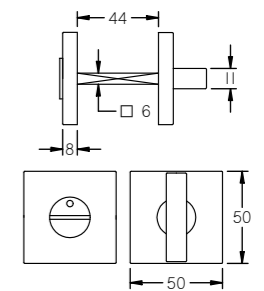
E460

Size:
51 x 51 x 8mm

Description:
Thumbturn & Release
c/w Indicator

Option:
E361 - Thumbturn & Release
without Indicator

Finish:
SSS





163 Series

Features:
6-Pin Patented Profile Master Key Cylinders

Options:
1631 - Euro Profile Cylinder c/w Round Thumbturn (60/70/80/90mm lengths)

Note: For Oval Thumbturn Suffix 'O'

1633 - Euro Profile Double Cylinder (60/70/80/90mm lengths)

1635 - Euro Profile Single Cylinder (40/45/50mm lengths)

Finish:
SNP



162 Series

Features:
5-Pin Master Keyed Cylinders

Options:
1621 - Euro Profile Cylinder c/w Thumbturn (60/70/80/90mm lengths)

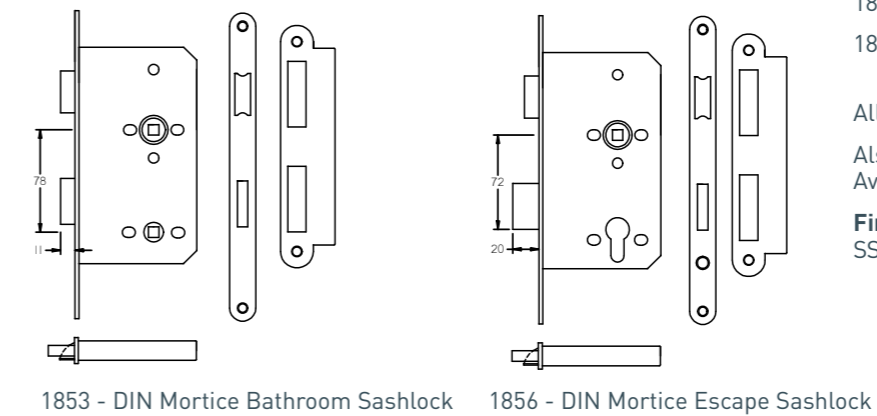
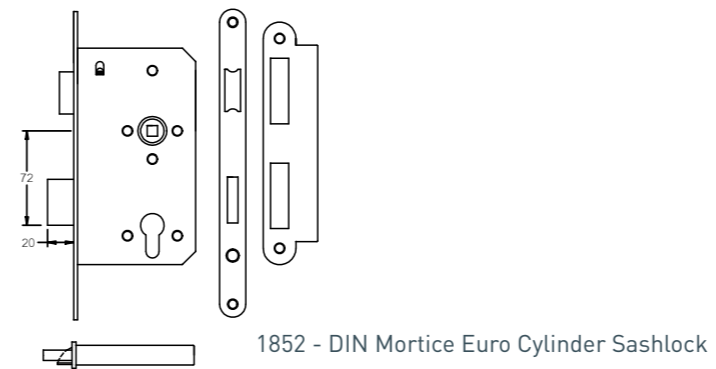
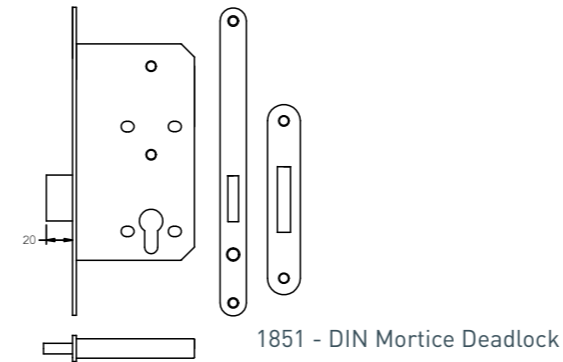
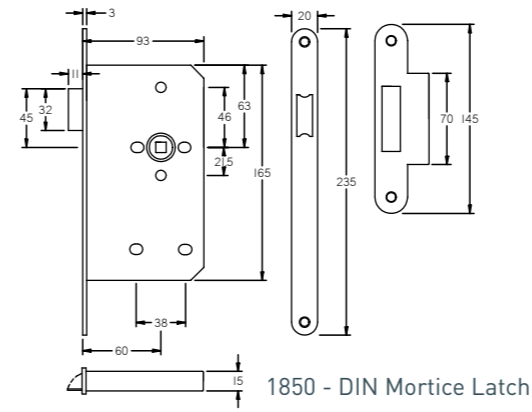
Note: For Ex. Large Thumbturn Suffix 'D'

1623 - Euro Profile Double Cylinder (60/70/80/90mm lengths)

1625 - Euro Profile Single Cylinder (40/45/50mm lengths)

Finishes:
SCP, PCP

Note: For help and advice with the design and specification of your master key system please contact our sales office.



185 Series

Size:
72mm cc
78mm (Bathroom)
Backset 60mm

Description:
1850 - DIN Mortice Latch
1851 - DIN Mortice Deadlock
1852 - DIN Mortice Euro Cylinder Sashlock
1853 - DIN Mortice Bathroom Sashlock
1856 - DIN Mortice Escape Sashlock
1857 - DIN Mortice Escape Sashlock c/w Split Follower (Not Illustrated)

All Radius Forends As Standard
Also Available With Square Forends - Rebate Kits Available To Suit Square Forend Locks

Finish:
SSS



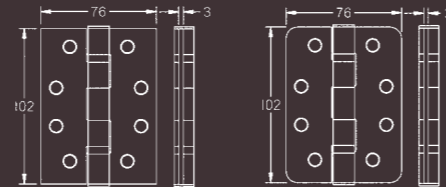
105 Series

Description:
Twin Ball Bearing Butt Hinges

Options:

1051.102.SSS	102 x 76mm HD Ball Bearing Butt Hinge G13 CWS
1051R.102.SSS	102 x 76mm HD Ball Bearing Butt Hinge Radius Corners G13 CWS
1051.102.PSS	102 x 76mm HD Ball Bearing Butt Hinge G13 CWS
1051R.102.PSS	102 x 76mm HD Ball Bearing Butt Hinge Radius Corners G13 CWS
1051.102.SZP	102 x 76mm HD Ball Bearing Butt Hinge G13 CWS
1052.102.SSS	102 x 102mm Ball Bearing Butt Hinge G13 CWS
1052.102.PSS	102 x 102mm Ball Bearing Butt Hinge G13 CWS

Finish Options:
SSS, PSS, SZP



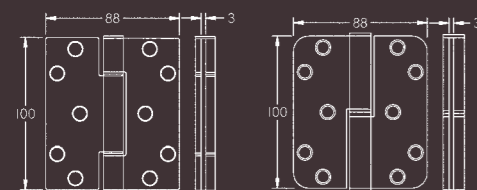
100 Series

Description:
Thrust Bearing Hinges

Options:

1008.100.SZP	100 x 88mm Hi-Load Butt Hinge 120kg
1008R.100.SZP	100 x 88mm Hi-Load Butt Hinge Radius Corners 120kg
1008.100.SSS	100 x 88mm Hi-Load Butt Hinge 120kg
1008R.100.SSS	100 x 88mm Hi-Load Butt Hinge Radius Corners 120kg
1009.100.SZP	100 x 86mm Hi-Load Butt Hinge 100kg
1009.100.SSS	100 x 86mm Hi-Load Butt Hinge 100kg
1009R.100.SZP	100 x 86mm Hi-Load Butt Hinge Radius Corners 100kg
1009R.100.SSS	100 x 86mm Hi-Load Butt Hinge Radius Corners 100kg

Finish Options:
SSS, PSS, SZP



101 Series

Description:
Lift Off Thrust Bearing Hinges

Options:

1011.RH.SSS	100 x 88mm Hi-Load Lift Off Butt Hinge 80kg RH
1011.LH.SSS	100 x 88mm Hi-Load Lift Off Butt Hinge 80kg LH
1011.RH.SZP	100 x 88mm Hi-Load Lift Off Butt Hinge 80kg RH
1011.LH.SZP	100 x 88mm Hi-Load Lift Off Butt Hinge 80kg LH

Finish Options:
SSS, PSS, SZP

E400

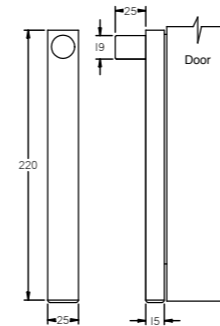
Description:
E400 - High Security Bolt

Size Options:
220mm, 320mm

Option:
E400L - High Security Locking Bolt

Finish Options:
SSS, PSS

NOTE:
Remember to select an appropriate "Keep" from the E400 series below.

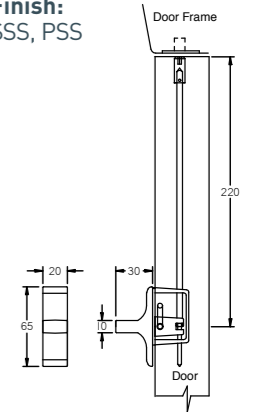


E410

Description:
High Security Surface Door Bolt

Size Options:
220mm, 300mm, 600mm, 900mm

Finish:
SSS, PSS



E400 Keeps

Bolt Keep Options:
E401 - Top Mounted Flat Keep (Inward Opening)

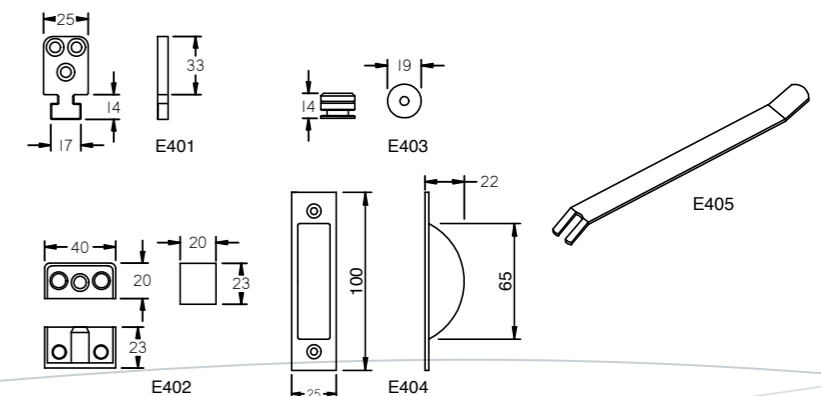
E402 - Top Mounted Keep (Outward Opening)

E403 - Top Mounted Round (Button) Keep (Outward Opening)

E404 - Bottom Mounting Easy Clean Floor Socket

E405 - Bolt Removal Tool

Finish:
SSS

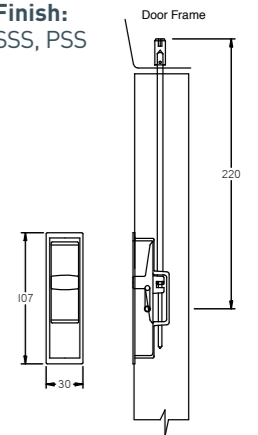


E411

Description:
High Security Flush Door Bolt

Size Options:
220mm, 300mm, 600mm or 900mm

Finish:
SSS, PSS





Standard Arm & Slide Arm Door Closers

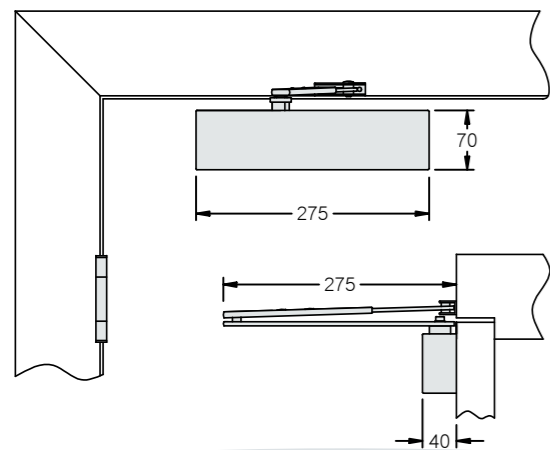
Features:
Heavy Duty Variable Power Surface Mounted Door Closer. CE Marked and Tested to BS EN1154. BS8300 (DDA) Compliant. Variable Power.

Size Options:
Power Adjustable Size 2-4
Power Adjustable Size 2-5

Cover Options:
Square Cover = SQ
Semi Radius = SR
Full Radius = FR

- Closer Options:**
3207 - Size 2-4, Standard Armset, Parallel Arm Bracket & SR Metal Cover Supplied
3250 - Size 2-5, Standard Armset, Parallel Arm Bracket & SR Metal Cover Supplied
3260 - Size 2-5, Standard Armset, Parallel Arm Bracket & FR Metal Cover Supplied
3270 - Size 2-5, Standard Armset, Parallel Arm Bracket & SQ Metal Cover Supplied
3252 - Size 2-5 with Slide Armset & SR Metal Cover Supplied
3272 - Size 2-5 with Slide Armset & SQ Metal Cover Supplied

Finish Options:
SSS, PSS, SNP, PNP



Electro-Magnetic Hold Open Door Closers

Features:
Heavy Duty CE Marked Surface Mounted Door Closer With 24V DC Hold-Open Magnet For Integration With Fire Alarm Systems. Variable Power Size. Supplied Complete With 300mm Cables, Conduit and Switched Terminal box. Dual Function Unit With 'Hold Open' and 'Swing Free' modes.

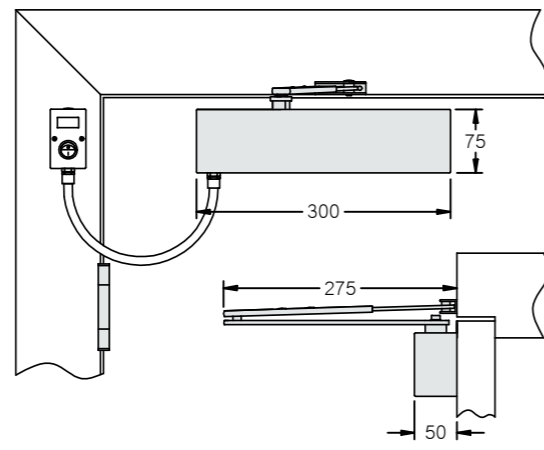
Size Options:
Power Size 4
Power Size 5

- Closer Options:**
3254 - Size 2-4, Electro-Magnetic Hold Open/Swing Free Door Closer c/w SR Cover & Matching Armset
3255 - Size 2-5, Electro-Magnetic Hold Open/Swing Free Door Closer c/w SR Cover & Matching Armset

Cover Options:
Square Cover = SQ
Semi Radius = SR

Finish Options:
SNP, PNP

Note: Also Available with 600mm Extended Cable & Conduit.



Surface Mounted Cam Action Door Closers

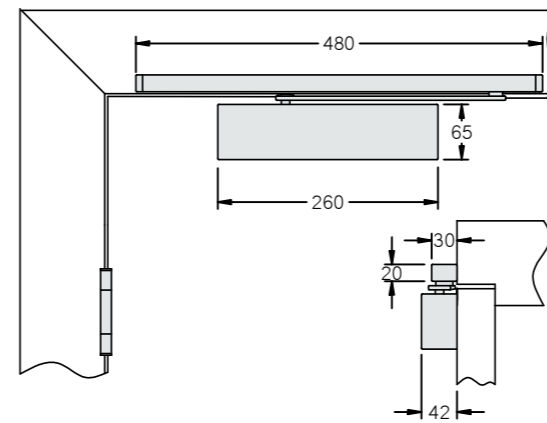
Features:
High Efficiency Cam Action Surface Mounted Door Closer With Slide Armset. Low Opening Force, CE Marked And Tested To BS EN1154. BS8300 (DDA) Compliant.

Size:
Power Adjustable Size 2-4

Cover Options:
Square Cover = SQ
Semi Radius = SR

- Closer Options:**
3450 - Size 2-4, Cam Action Slide Arm Closer c/w SR Cover & Matching Slide Armset
3470 - Size 2-4, Cam Action Slide Arm Closer c/w SQ Cover & Matching Slide Armset

Finish Options:
SNP, PNP



Concealed Cam Action Door Closer

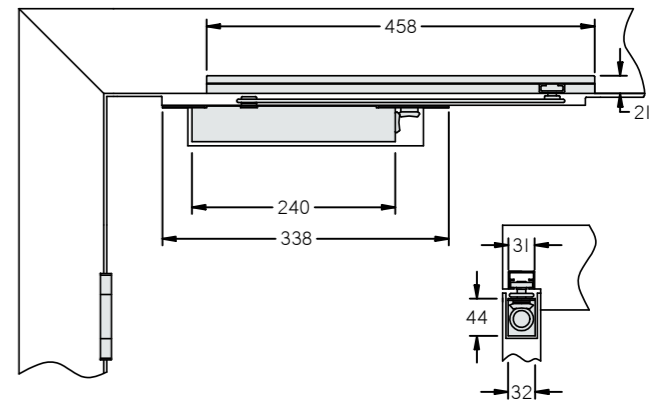
Features:
Single or Double Action Concealed Slide Arm Cam Action Door Closer. Low Opening Force, CE Marked and Tested to BS EN1154. Double Action Kit Includes Top & Bottom Pivot Set.

Size Options:
Power Adjustable Size 2-4 (Body Dimensions 338 x 45 x 32mm)
Power Adjustable Size 2-5 (Body Dimensions 352 x 54 x 40mm)

- Closer Options:**
3490 - Size 2-4, Slide Arm Concealed, Single Action Door Closer
3491 - Size 2-4, Slide Arm Concealed, Double Action Door Closer c/w Accessories
3490 - Size 2-5, Slide Arm Concealed, Single Action Door Closer
3493 - Size 2-5, Slide Arm Concealed, Double Action Door Closer c/w Accessories

Finish Options:
SE, SSS

Available Accessories:
Intumescent Liner Kit For Fire Doors
Electro-Magnetic Hold Open Guide Rails





353

Options:

3530 - Single Panic Bolt c/w Pullman Catches

3531 - Double Panic Bolt c/w Pullman Catches

Finish Options:

SNP, PNP
Powder Coated in any RAL Colour

3528

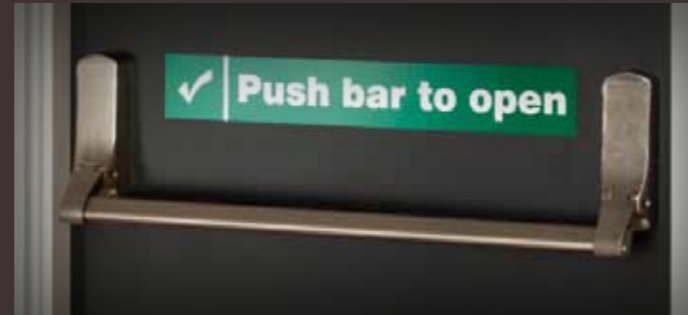
Description:

Panic Mortice Latch Actuator

Finish Options:

SNP, PNP

Powder Coated in any RAL Colour



3514E

Size:

60 x 178mm

Description:

Euro Cylinder Outside Access Device (Cylinder Sold Separately)

Finish:

Powder Coated Silver



3514EL

Size:

60 x 175mm

Description:

Euro Cylinder Outside Access Device with Lever (Cylinder Sold Separately)

Finish:

Powder Coated Silver



Note: Plated finishes are not suitable for external use.



3566

Size:

85 x 223mm

Description:

Heavy Duty Mechanical Lever Digital Lock c/w Key Override (Non-Handed)

Finish:

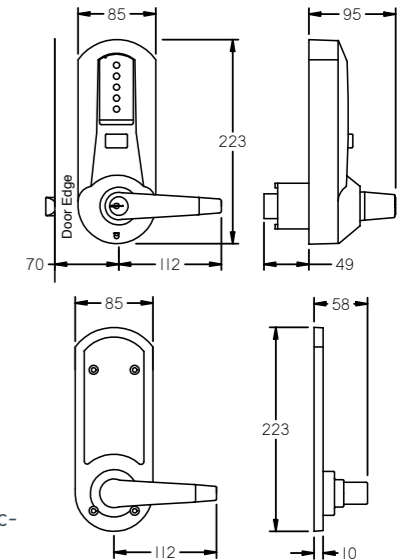
SCP

Note:

Cylinders can be master keyed to match our 163 range (Page 20)

Option:

3568.SCP - As 3566 with electronic operation standalone unit with 10 buttons, 100 user codes and a variety of additional operating modes.



3570

Size:

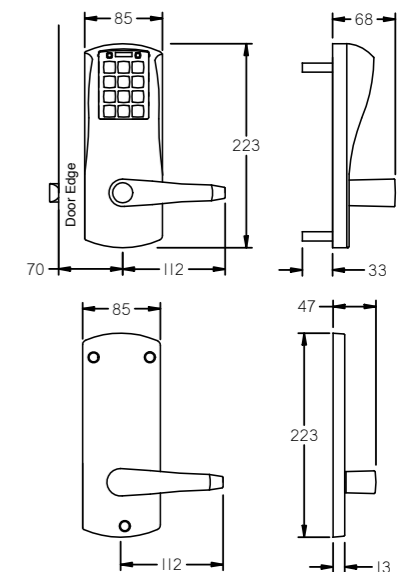
85 x 223mm

Description:

Multifunction Electronic Lever Digital Door Lock (99 user codes).

Finish:

SCP





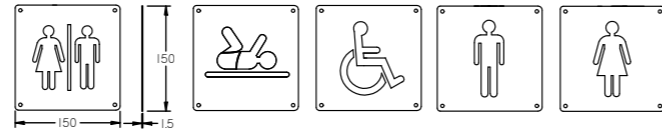
E450

Size:
150 x 150 x 1.5mm

Suffix For Required Options:

M = Male
F = Female
U = Unisex
D = Disabled
B = Baby Change

Finish:
SSS



E452

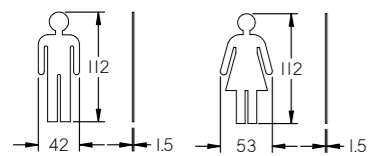
Size:
110 x 1.5mm

Suffix For Required Options:

M = Male
F = Female

Finish:
SSS

Note: Self Adhesive Fixings



E453

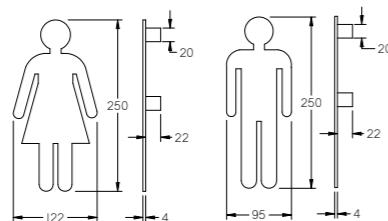
Size:
250 x 4mm

Suffix For Required Options:

M = Male
F = Female

Description:
Sign c/w Standoffs

Finish:
SSS



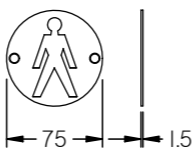
5601

Size:
75 x 1.5mm

Suffix For Required Options:

M = Male
F = Female
U = Unisex
D = Disabled
BC = Baby Change

Finish Options:
SSS, PSS

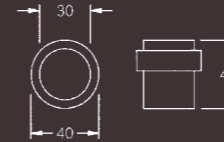


2112

Size: 30mm

Description:
Floor Door Stop

Finish Options:
SSS, PSS

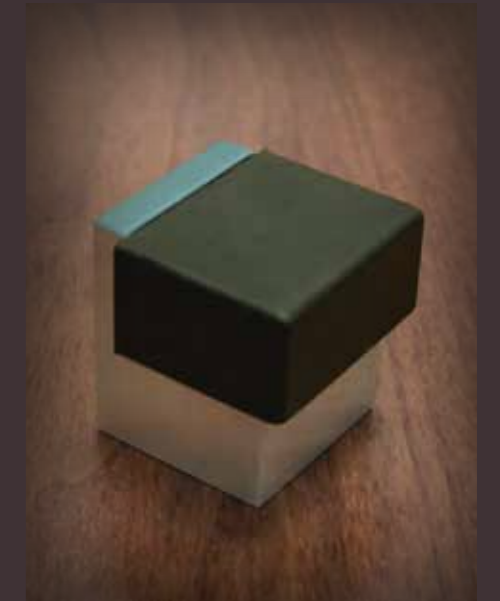
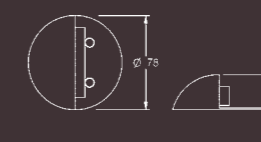


E462

Size: 78mm

Description:
HD Large Floor Door Stop

Finish Options:
SSS, PSS

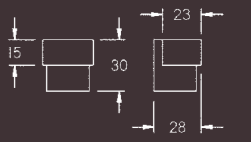


E464

Size: 30mm

Description:
Designer Floor Door Stop

Finish:
SSS

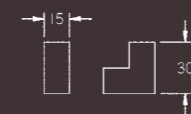


E463

Size: 32mm

Description:
Designer Robe Hook

Finish:
SSS



5616

Description:
1.2mm Kick Plates, Drilled & Countersunk for Screw Fixing. Kick Plates are Manufactured to Any Size up to a Maximum Width of 3000mm.

Standard Heights:
100, 150, 200, 250, 300mm

Additional Options:
10mm Radius Corners - Suffix 'R'

Finish Options:
SSS, PSS

5613

Description:
1.2mm Finger Plates, Drilled & Countersunk for Screw Fixing. Finger Plates are Manufactured to Any Size.

Standard Sizes:
300 x 75mm
350 x 75mm
400 x 100mm

Additional Options:
10mm Radius Corners - Suffix 'R'
2.0mm Thick Plates Available to Order
Engraving and Laser Cutting Available for Cylinder Cut-Outs and Custom Shapes

Finish Options:
SSS, PSS

Outstanding Ironmongery Solutions Backed by customer service you'll love

If you're looking for the best in architectural ironmongery, Datim puts one very simple solution in front of you. With a superb range of products backed by first class service, everything you need is right here.

There's no waiting. From architectural ironmongery, to doorsets, to multi-unit mailboxes and access control products, we keep thousands of items ready for same or next-day delivery. Our trade counter also means you can pick up what you need, when you need it. You can even choose products from your office or home. Just visit www.datim.co.uk, which is full of our latest products and news. Ask our team a question, download brochures, and find what's right for you – it's all on our website.

But it's the personal touch that helps us maintain our loyal customer following. Our experienced team is always ready to answer your technical questions and ensure your job runs smoothly. And whether your order is big or small, we'll pack it by hand and double-check everything before we send it. It's this attention to detail that ensures you won't be disappointed.



Architectural Ironmongery and **Select** Doorsets Traditional Values Meet Contemporary Design

Datim Supplies

Foxwood Industrial Park
Foxwood Road
Chesterfield
S41 9RN

Tel: **01246 572277**
Fax: **01246 572270**
Email: sales@datim.co.uk
Web: www.datim.co.uk

At the time of publication, all information within this brochure is a true and accurate representation of the products and services offered by Datim Supplies.