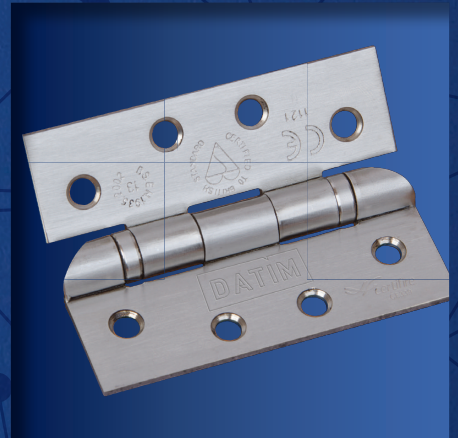


DATIM

ANTI-LIGADURA

Product Range Brochure



ANTI-LIGADURA

Product Range

It is a generally accepted statistic, as supported by the government figures, that several thousand people are seriously or fatally injured as a result of self-inflicted incidents each year.

The ANTI-LIGADURA range has been designed to assist with resistance against self-harm by those who may be temporarily distressed, irrational or emotionally unstable. Ideal for use in buildings such as hospitals, prisons, detention centres and care centres, where safety of its residents and staff is paramount.

Available in stainless steel, the range is successfully tested in accordance with the requirements of DHF TS001, a product specification document released by the Door Hardware Federation for testing and assessment of anti-ligature products.

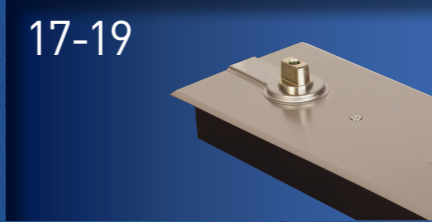
The range consists of door handles, escutcheons, bathroom turns, knob furniture, hinges, pull handles and privacy vision panels. There are also additions to the ANTI-LIGADURA range such as the Estilo collection offering a wide range of architectural stainless steel ironmongery.

Built to last from the highest quality materials, each ANTI-LIGADURA product is also easy to install and is backed by our 15 Year Guarantee, giving both yourself and the client the peace of mind they require.



4-6

Hinges



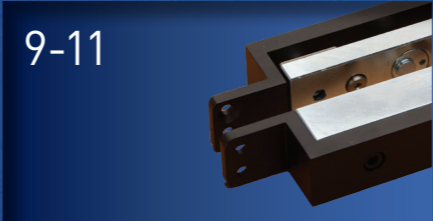
17-19

Door Closers



27

Escutcheon



9-11

Access Control



20-23

Ancillary



28-29

Lock Cases



12

Door Bolts



24

WC Indicators and Turns



30-31

Privacy Vision Panels



13-16

Pull/Lever Handles



25-26

Door Protection

Finish Option Abbreviations:

- Polished Stainless Steel = PSS
- Satin Stainless Steel = SSS
- Satin Nickel Plated = SNP
- Polished Nickel Plated = PNP

- Silver = SE
- Polished Chrome Plated = PCP
- Satin Chrome Plated = SCP
- Satin Zinc Plated = SZP

All measurements in mm.
Drawings not to scale.

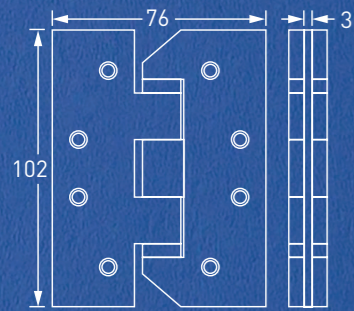


1053.76

Description: Heavy Duty Ball Bearing Butt Hinge G13CWS

Dimensions: 102 x 76mm

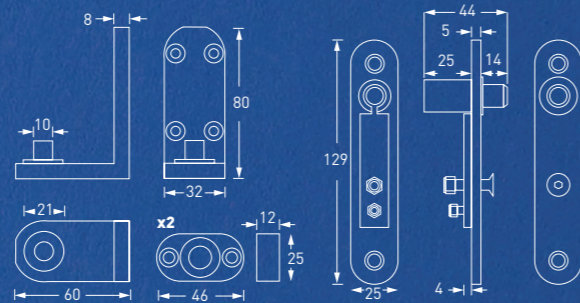
Finish option: SSS, PSS



5958R

Description: Disabled Toilet Double Action Pivot Set c/w frame mounting 'L' brackets

Finish option: SSS

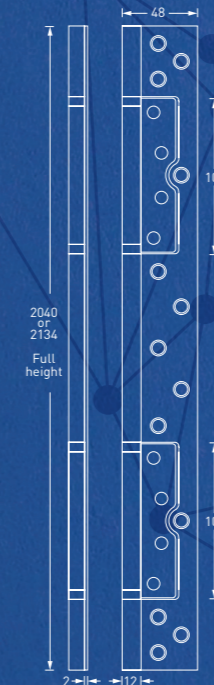


C6135AL

Description: Interleaf Flush Fitting Continuous Hinges to suit 44 & 55mm door thickness

Dimensions: 2040 or 2134 x 60mm

Finish option: SSS

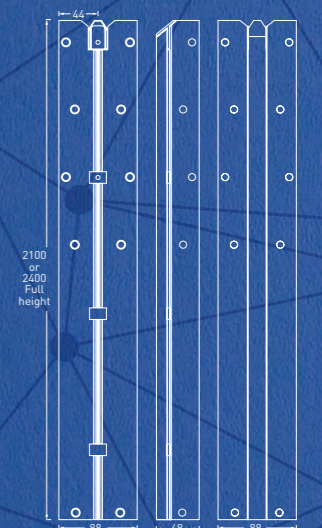


XS2384

Description: Full Length Geared Hinge with Angled Anti-ligature Tip (single swing)

Dimensions: 2100 or 2400 x 88mm

Finish option: SAA





THE ULTIMATE INTEGRAL FINGER GUARD

Benefits of **Alumax** from Safehinge

- **Unrivalled safety** – finger protection, anti-ligature and anti-barricade
- **Testing** – including fire – FD30 & FD60 Acoustic up to 38dB
- **Discreet** – simple, sleek design with visible fixings kept to a minimum
- **Robust** – tested to DD171 – sever duty, tough stainless steel pivot straps
- **Coordinated** – designed to work in harmony with Combi Steel frames
- **Major savings** – durable construction and long lifespan = cost savings
- **Ease of installation** – factory morticed and fitted with on-site adjustability

Description: Finger Safe Hinge for 2.1m doors. Kit includes:

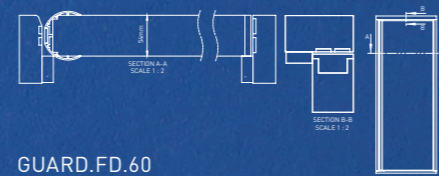
- Top centre pivot
- Cover plate
- Top strap
- Aluminium edge profile
- Intumescent seals
- Bottom strap or floor spring strap
- Screw pack
- Floor plate
- L-bracket

GUARD.FD30

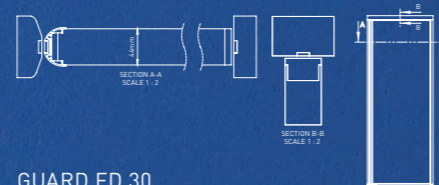
FD30 doors 44mm thick
Dimensions: 44mm

GUARD.FD60

FD60 doors 54mm thick
Dimensions: 54mm
Finish options: SAA



GUARD.FD.60



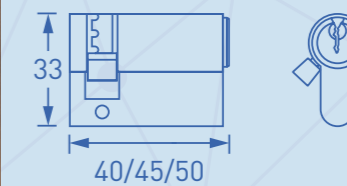
GUARD.FD.30



163 SERIES 6 PIN PATENTED PROFILE MASTER KEY CYLINDERS

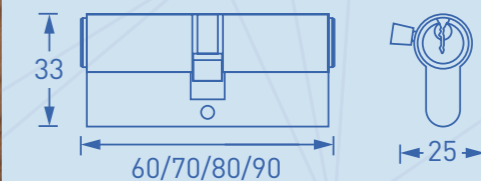
1635

Description: Euro Profile Single Cylinder
Dimensions: 40/45/50mm lengths
Finish options: SNP



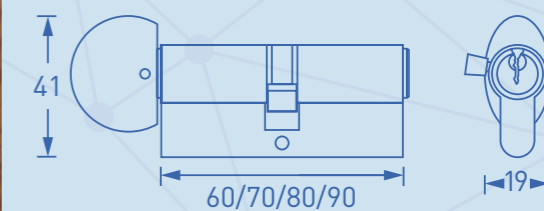
1633

Description: Euro Profile Double Cylinder
Dimensions: 60/70/80/90mm lengths
Finish options: SNP



1631

Description: Euro Profile Double Cylinder c/w Round Thumbturn
Dimensions: 60/70/80/90mm lengths
Finish options: SNP



CONTINUOUS REMOVABLE FULL LENGTH LOCKING DOORSTOP

Removable doorstops help eliminate barricade situations

Benefits:

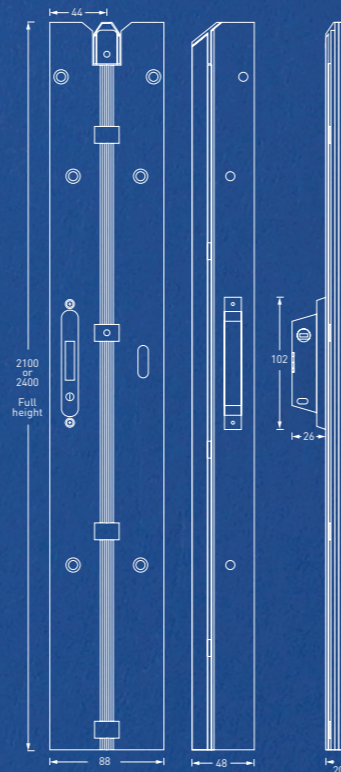
- Secure dual point locking system
- Sloping tip; no ligature point
- Components fire tested to BS476:Part 20 & 22 for 30 & 60 mins
- Sight proof design provides privacy
- Dual grab handles with 45° slope for ease of opening
- Curved backing to allow door to open under extreme force

XS7566

Description: Continuous Removable Full Length Locking Doorstop 50mm deep, SAA aluminium combined with primed MDF or H/W

Dimensions: 2100 or 2400mm length

Finish options: SAA

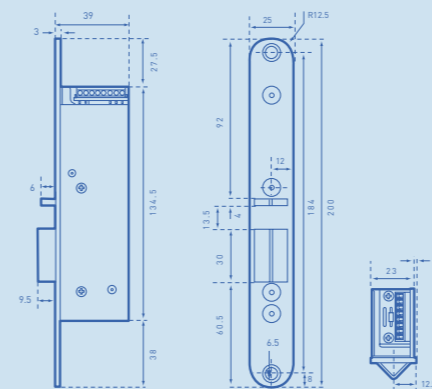


XS6115

Fail unlocked electric lock for single or double action doors, monitored.

Description: EffEff 351 180 12V SSS H/D Electric Lock with Triangle Bolt, Deadlock Snib and 80235-01 Strike Plate

Finish options: SSS



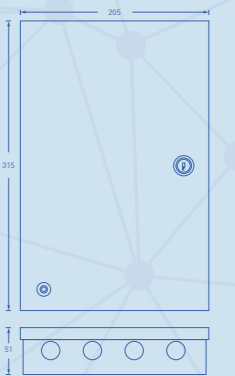
XS4320

Description: Lockable 24V 5AMP Power Supply Unit

- External indicator
- 9 Individual outputs

Dimensions: 310 x 215 x 60mm

Finish options: White powder coated steel



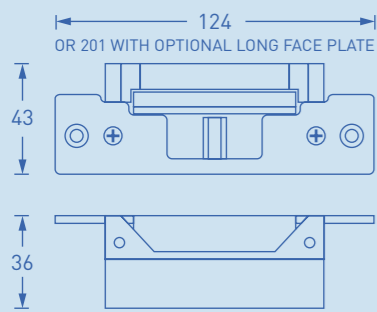
XS0565

Description: Architectural Standard Z & L Brackets for standard magnet

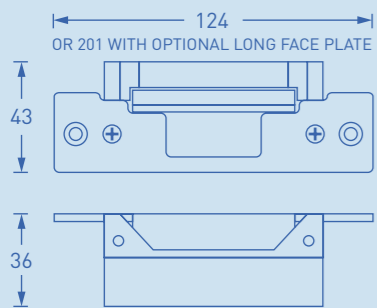
Finish options: SAA



AH111 12/24V DC



AH111 12v DC Monitored



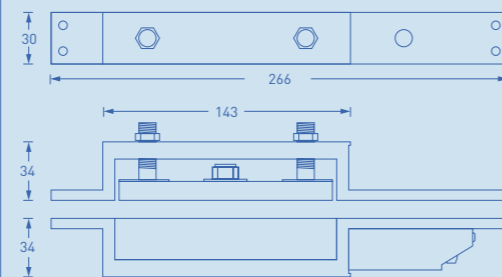
3559.HD.12.SSS

Description: HD Universal Mortice Electric Strikes
c/w optional long face plate
Finish options: SSS



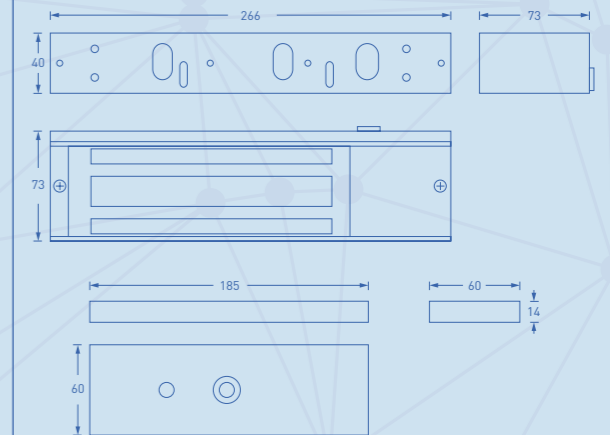
XS00000362

Description: 12/24V DC Mortice Shear Magnet



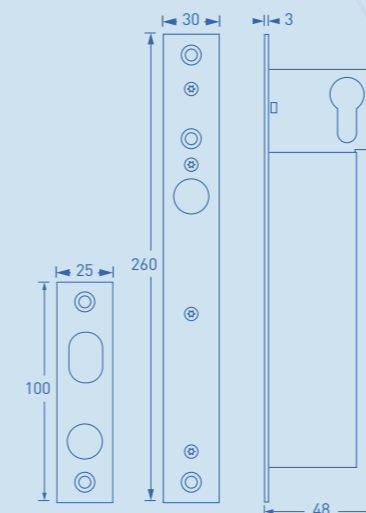
XS00000361

Description: 12/24V DC Single Electro Magnetic Lock
Monitored



XS000007813

Description: 12-28V DC Fail
Secure Solenoid Bolt c/w Euro Key Override for 42mm
max. width door
Dimensions: 60 x 30mm
Finish options: SSS



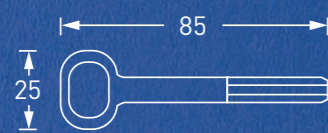
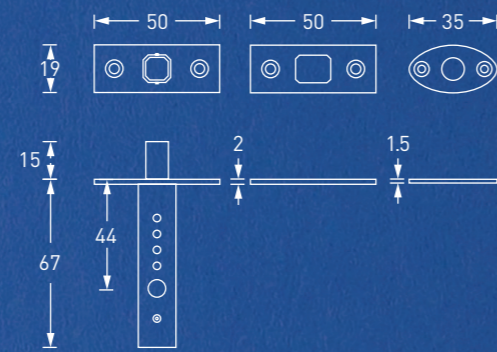


7649

Description: Branham R102 Mortice Star Bolt c/w Escutcheon

Dimensions: 76mm

Finish options: SCP



7663

Description: Star Key to suit 7649

Dimensions: 85mm

Finish options: BZP

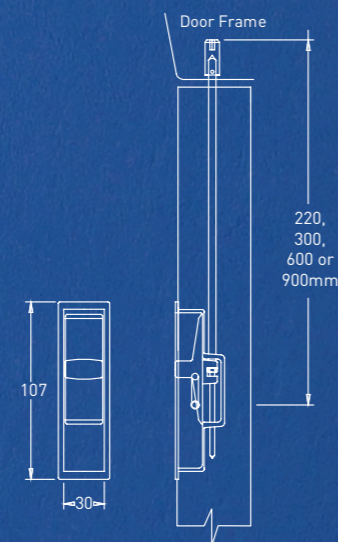


E411

Description: High Security Flush Door Bolt

Dimensions: 220/300/600/900mm

Finish options: SSS, PSS

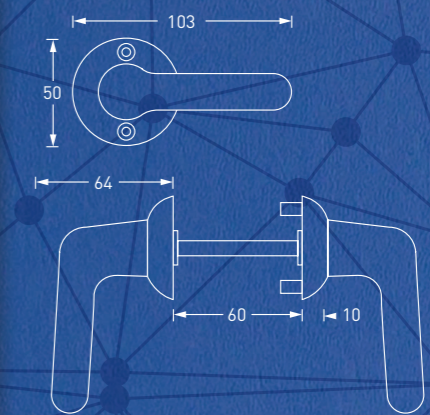


ANTNS7SSS

Description: 45° Lever Handle Set

Dimensions: 103mm

Finish options: SSS

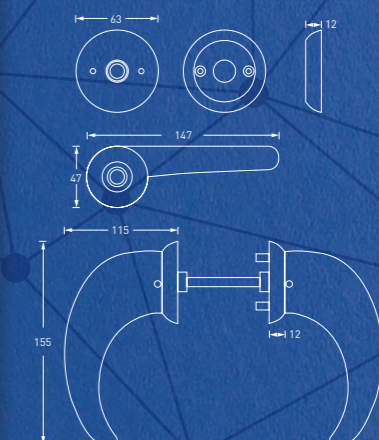


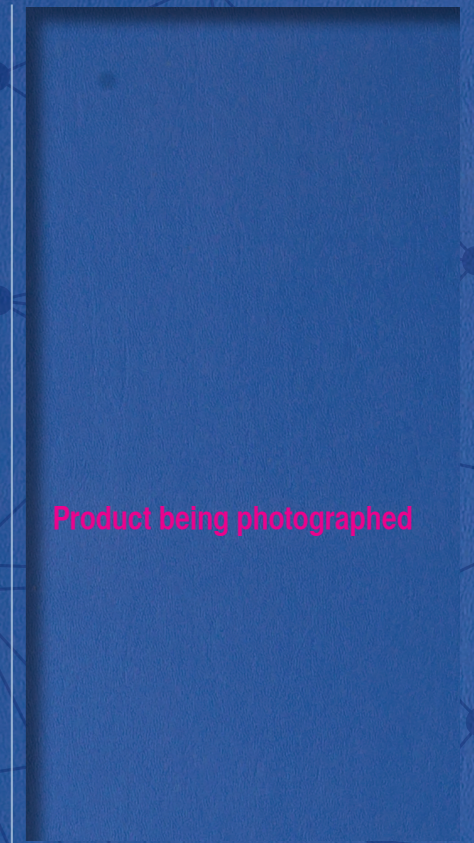
ANT19SSS

Description: 45° Horn Lever Handle Set

Dimensions: 132mm

Finish options: SSS

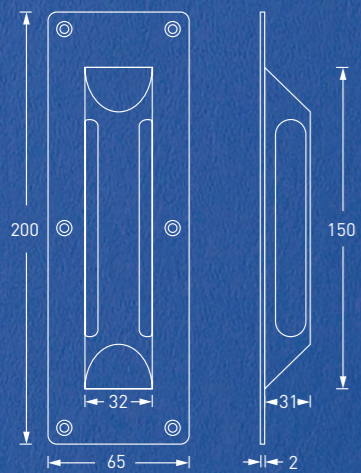




Product being photographed

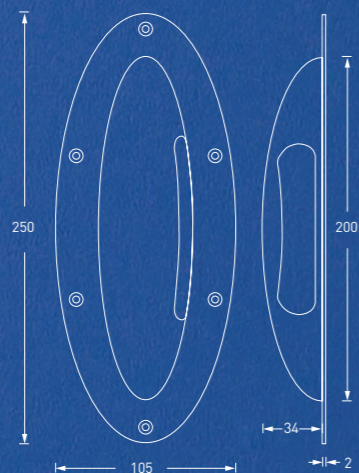
ANT5PL

Description: Pull Handle on Plate
Dimensions: 200 x 65 x 33mm
Finish options: SSS



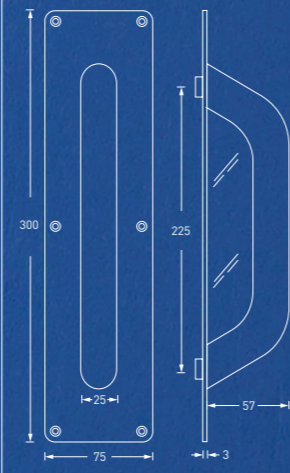
ANTNORTONPL

Description: Pull Handle on Oval Back Plate
Dimensions: 250 x 105 x 36mm
Finish options: SSS



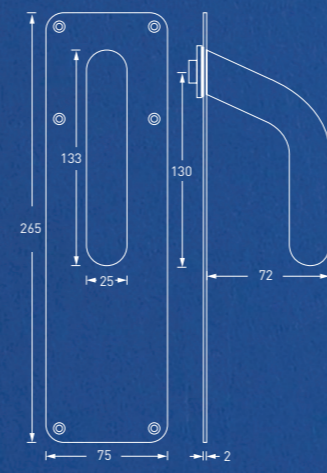
ANT25INFILLPLFF

Description: Infill Pull Handle on Plate
Dimensions: 300 x 75 x 60mm
Finish options: SSS



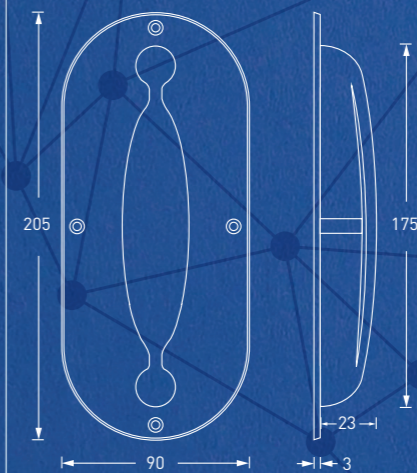
ANT2PL

Description: Pull Handle on Plate
Dimensions: 265 x 75 x 74mm
Finish options: SSS



XS00007255

Description: Pinch Grip Anti Pull Handle on Full Radius Back Plate
Dimensions: 205 x 90 x 26mm
Finish options: SSS/PSS



ZDS12SS

Description: Cast Pull Handle on Plate c/w screws
Dimensions: 300 x 75mm
Finish options: SSS

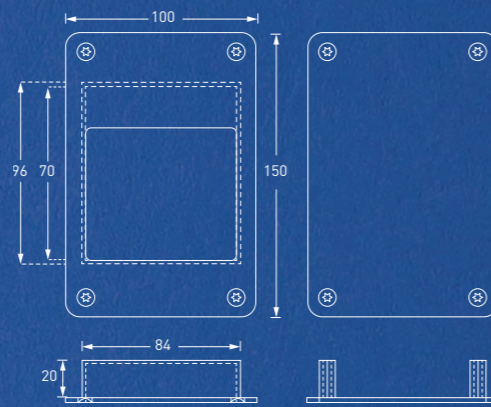


XS2072

Description: Back to Back Flush Pull Handle Set c/w security screws
Dimensions: 150 x 100mm
Finish options: SSS,PSS

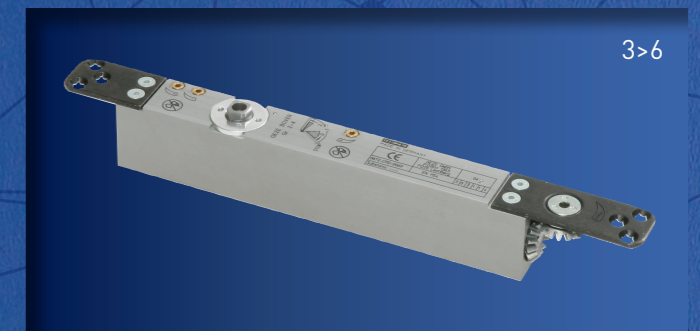
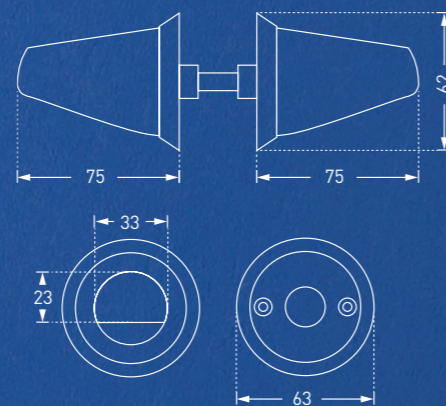
XS2186

Description: As XS2072 with blank plate to reverse



ANT1

Description: Mortice Knob Set
Dimensions: 75mm
Finish options: SSS



CONCEALED SLIDE ARM CAM ACTION DOOR CLOSER

Description: Single or Double Action Concealed Slide Arm Cam Action Door Closer

- Low opening force
- CE marked and tested to EN1154
- Double action kit includes top and bottom pivot set

Size options

Power adjustable size 2>4 (338 x 45 x 32mm)
 Power adjustable size 3>6 (??? x ?? x ??mm)

3492.306.SE

Size 3>6 Single Action

3492FR.306.SE

Fire Rated Size 3>6 Single Action

3490.306.SE

Size 2>4 Single Action

3490FR.306.SE

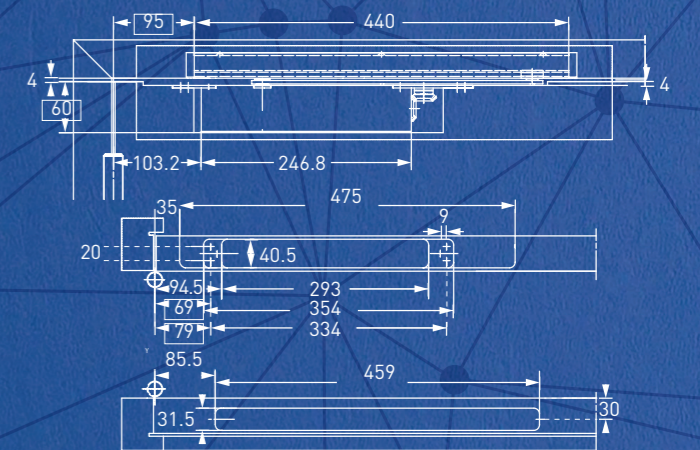
Fire Rated Size 2>4 Single Action

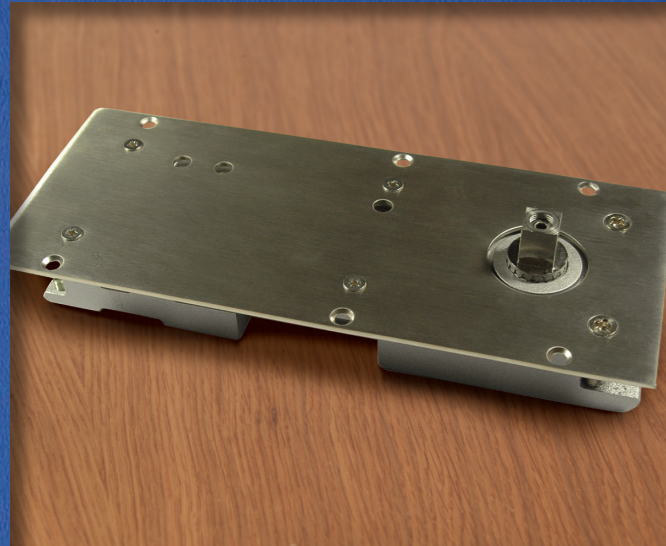
3491.306.SE

Size 2>4 Double Action

3491FR.306.SE

Fire Rated Size 2>4 Double Action





XS7374

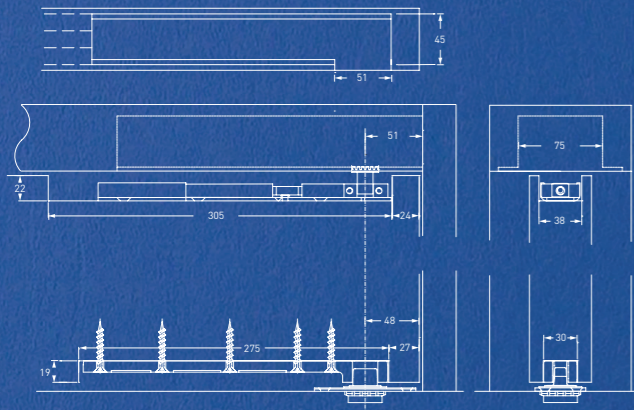
Description: Transom mounted, dual action closer c/w timber accessory pack and FD intumescent pack

The floor-mounted closer TS 550 NV F was developed specifically for aesthetically inconspicuous use on heavy fire and smoke doors. Due to the minimal installation height of just 54mm easy mounting on existing installations is also possible.

- Max. door width 1400mm
- Max. door weight: 300kg
- Fixed opening damping
- End stop and closing speed adjustable
- Flexibly adjustable closing speed for 180° - 80° with two functions
- Open: Closing speed 180° - 80°
- Almost closed: Closing delay

Size: 3>6

Finish options: SSS



XS7653

Description: Electro magnetic transom mounted dual action closer c/w timber accessory pack and FD intumescent pack

Size: 3>6

Finish options: SSS/PSS



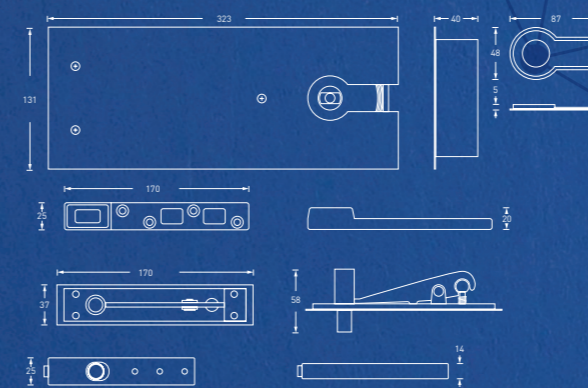
3055N

Description: High performance, double action, cam and roller NHO floor spring, for easy opening

- Max. door width 950mm
- Max. door weight: 105kg
- Fixed Power 3
- EN3
- Adjustable closing speed
- Adjustable latch action
- Adjustable back check
- Opening angle: 130°

Size: 3

Finish options: SSS, PSS

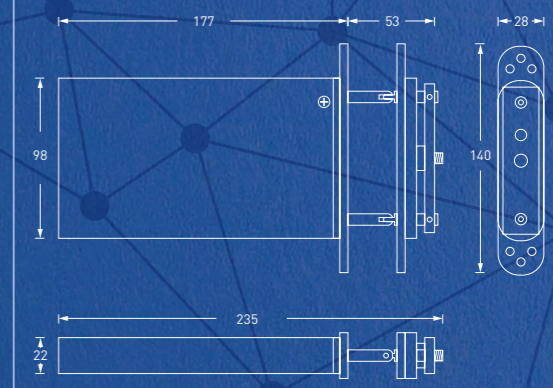


XS1021

Description: Powermatic® – one of the world's most advanced hydraulic concealed jamb door closers. It delivers outstanding performance and possesses many unique features that deliver benefits to fire and non-fire door applications

- Max. door width 950mm
- Max. door weight: 80kg
- Successfully type tested to BS EN 1154: 1997 power size 3
- BS EN 1634-1 approved for use on one hour and half-hour fire doors.
- Suitable for latched and unlatched installations
- Can be used with electronically powered hold-open devices
- Ultra efficient mechanism, meets the requirement for Approved Document M

Finish options: SCP, PCP





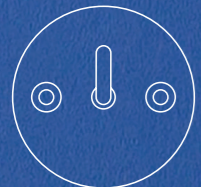
ANTCHI

Description: Coat hook – will only take the weight of the average overcoat

Dimensions: 63mm

Finish options: SSS

63



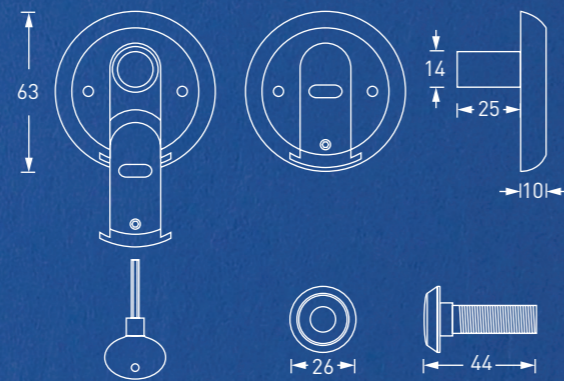
30



XS8047

Description: Lockable Door Viewer

Finish options: SSS



XS1570

Description: Concealed Door Loop

Finish option: PCP



Product being photographed

ANTDSISSSTP

Description: Floor Mounted Door Stop

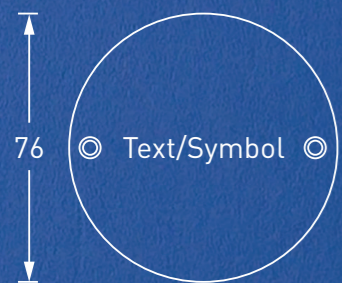
Finish options: SSS



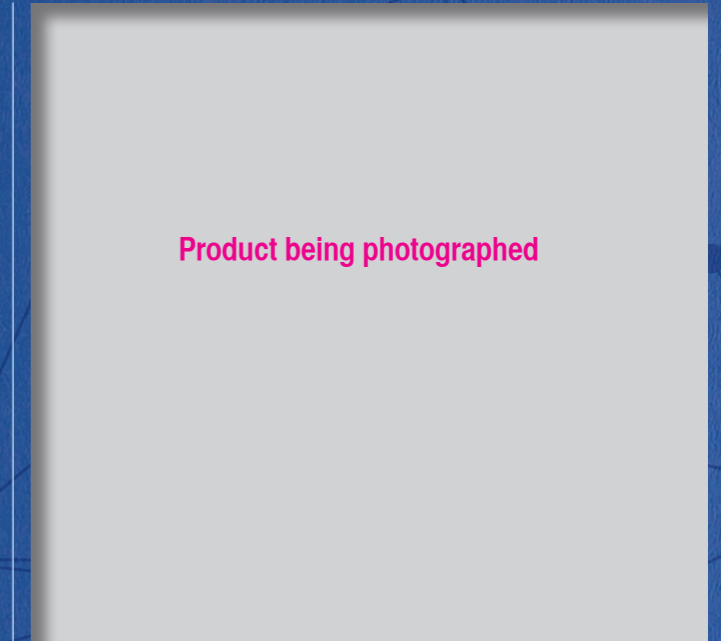
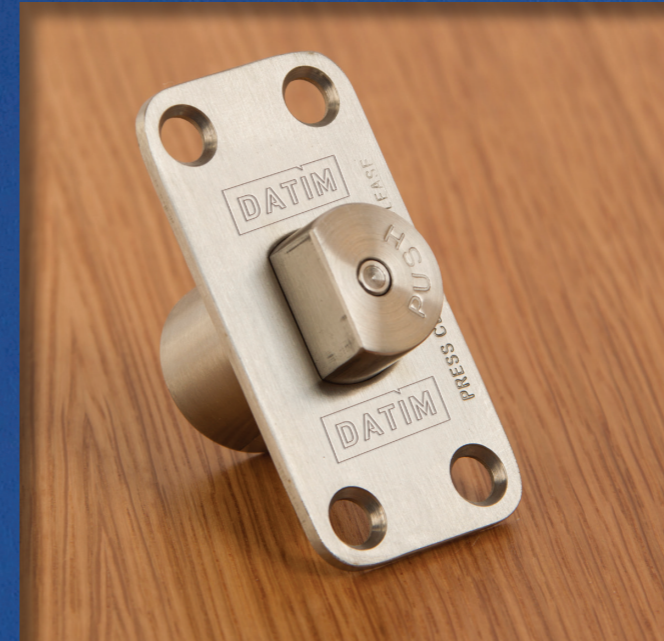
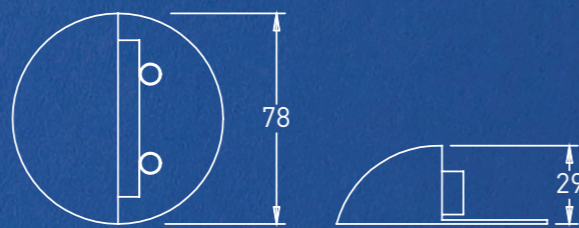


Description: Toilet Symbol/Text Sign
Dimensions: 76mm
Finish options: SSS

- | | |
|----------------|--------------------------|
| 5601U Unisex | 5601AA Authorised Access |
| 5601M Male | 5601SO Staff Only |
| 5601F Female | 5601P Private |
| 5601D Disabled | |
| 5601S Shower | |

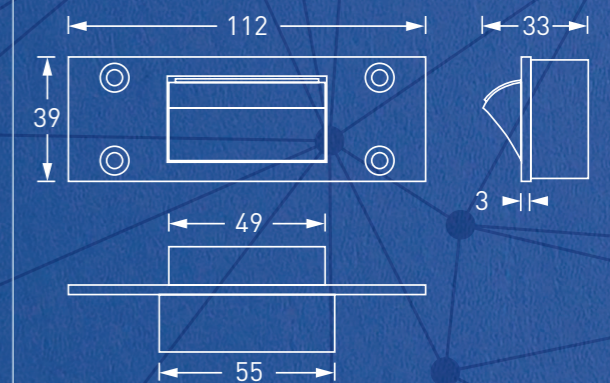


E462.SSS
Description: HD Large Floor Door Stop
Dimensions: 78mm
Finish options: SSS, PSS

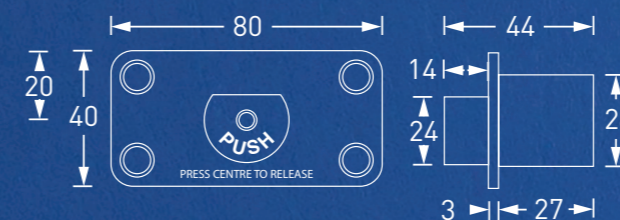


Product being photographed

5959.SSS
Description: Wedge Pattern Emergency Release Door Stop
Finish options: SSS



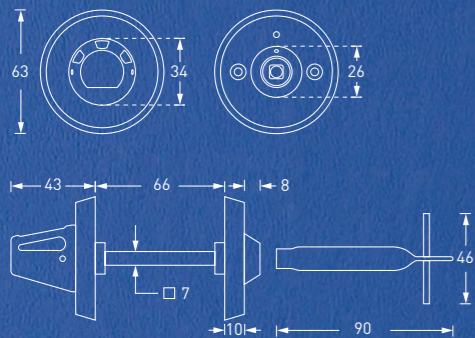
5957.SSS
Description: HD Latching Emergency Release Door Stop (release with Hex Key). Quick release for speed of access
Dimensions: 40 x 80 x 30mm
Finish options: SSS





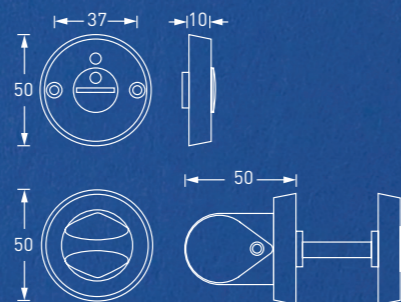
XS5275

Description: Clutched Bathroom Indicator Turn and Release c/w Release Key
Finish options: SSS



XS2070

Description: Thumb Turn and Indicator
Finish options: SSS, PSS



FIRE RATED ALUMINIUM DOOR EDGE GUARDS

- Outstanding wear and damage protection for double and single fire rated doors.
- Fitted with intumescent fire and smoke seals which are vandal-resistant yet easy to replace.
- Ideal for maintaining fire integrity and can be used on the front and back edge of fire resisting door sets (Fire Tested to BS476: Part 20 & 22 for 30 & 60 minutes).

Description: Rounded Profile, Brush and Intumescent
Finish options: SSS

XS1244

Dimensions: 2100 or 2500 x 44mm

XS4604

Dimensions: 2100 or 2500 x 55mm

Description: Square Profile, Brush and Intumescent
Finish options: SSS

XS4172

Dimensions: 2100 or 2500 x 44mm

XS4173

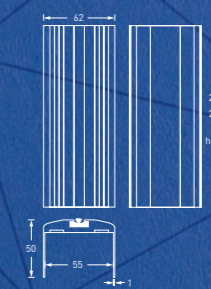
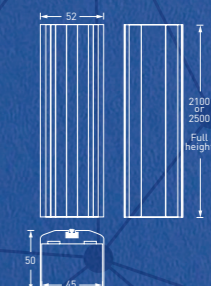
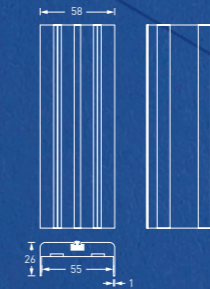
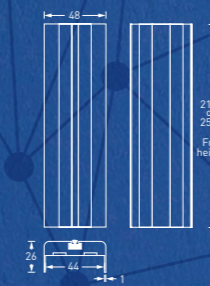
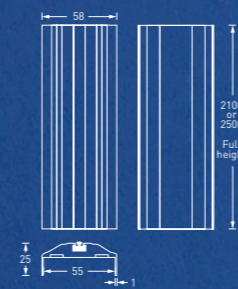
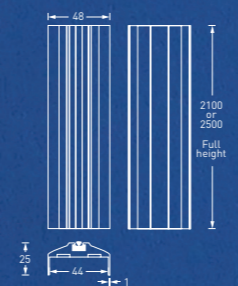
Dimensions: 2100 or 2500 x 55mm

Description: Rounded Profile, Longer Leg*, Brush and Intumescent
Finish options: SSS

XS6053 (DEE-55)

Dimensions: 2100 or 2500 x 45mm

Dimensions: 2100 or 2500 x 55mm



*As XS1244 but with 30mm longer leg to provide extra door face protection in extremely high impact areas.



5616R

Description: 1.2mm Kick Plates, with 10mm radius corners. Drilled and countersunk for screw fixing. Kick plates are manufactured to any size up to a maximum width of 3000mm

Standard heights: 100/150/200/250/300mm

Finish options: SSS, PSS

5613R

Description: 1.2mm Finger Plates, with 10mm radius corners. Drilled and countersunk for screw fixing. Finger plates are manufactured to any size

Standard sizes: 300 x 75mm/350 x 75mm/400 x 100mm

Additional options: 2.0mm thick plates available to order. Engraving and laser cutting available for cylinder cut-outs and custom shapes

Finish options: SSS, PSS

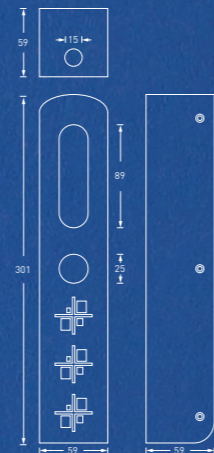


XS7978

Description: Pivot Reinforcement Shoe

Dimensions: 44/54mm

Finish options: SSS

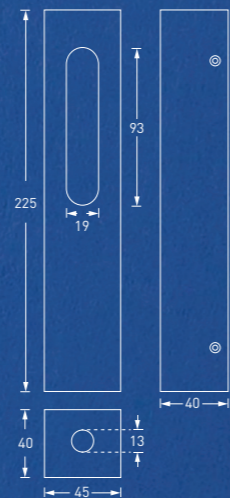


XS7618

Description: 44mm Flush Bolt Protector

Dimensions: 44mm or 54mm

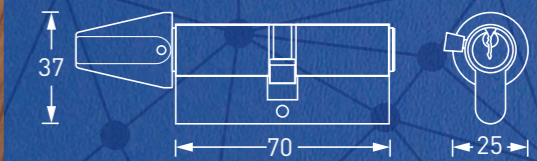
Finish options: SE



XS3530

Description: Anti Barricade Knob to be fitted to Euro Profile Cylinder (by others) c/w two Euro Profile Anti Ligature Escutcheons

Finish options: SSS/PSS



ANT363FF

Description: Euro Escutcheon

Dimensions: 63mm diameter

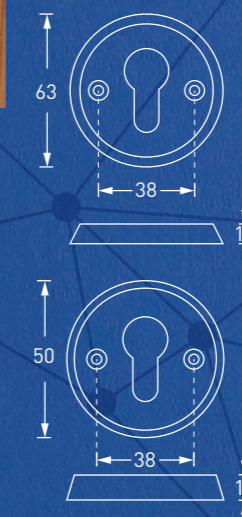
Finish options: SSS

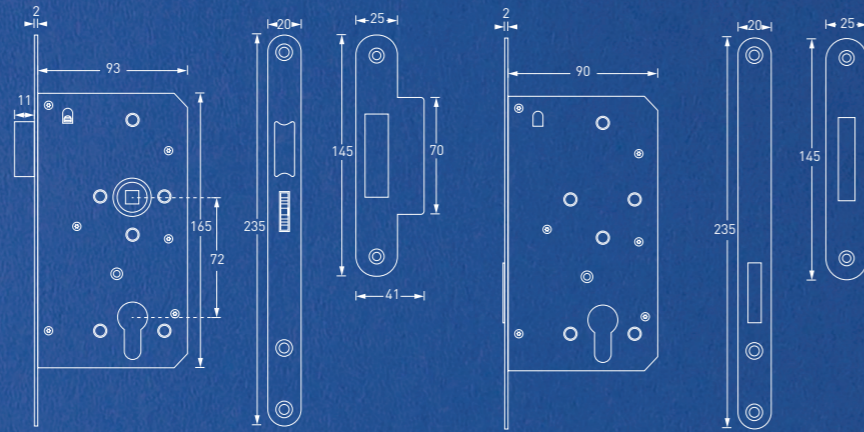
ANT350FF

Description: Escutcheon

Dimensions: 50mm diameter

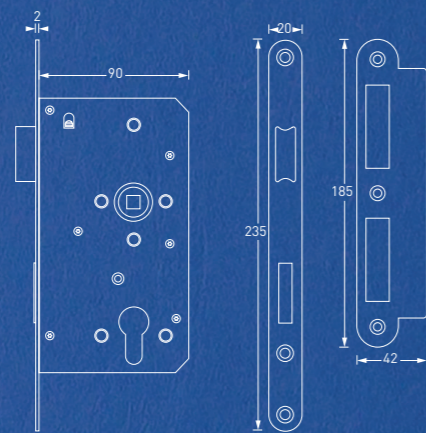
Finish options: SSS





1856IRR

XS1126



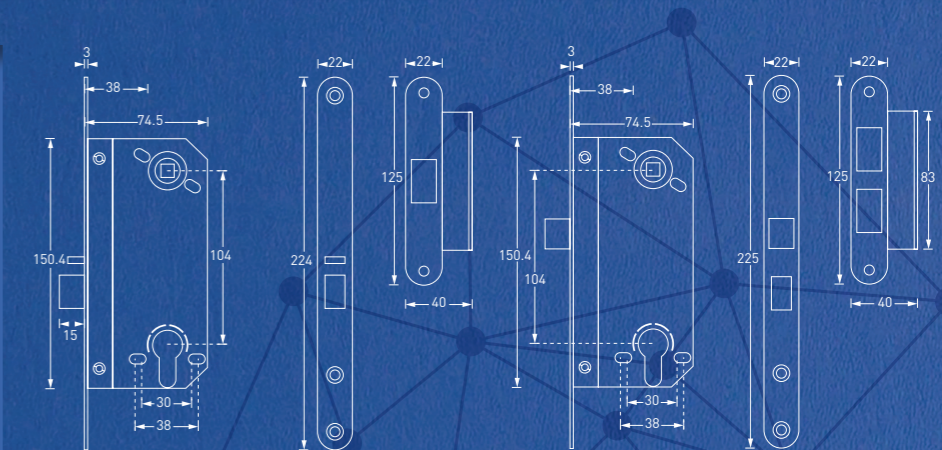
1857IRR

1857IRR

More line drawings required?
We will need the products to measure.

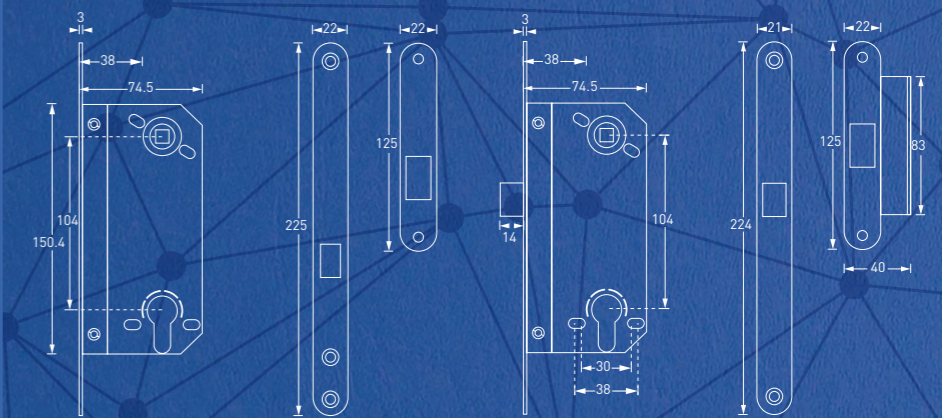
COMMERCIAL MODULAR LOCK CASES

Code	Description	Size	Finish
1856IRR	Nightlatch Case c/w Snib (Radius)	72 x 60mm	SSS, PSS
1857IRR	Escape Sashlock Case (Radius)	72 x 60mm	SSS, PSS
XS1126	Euro Deadlock Case (Radius)	72 x 60mm	SSS, PSS
XS758	Euro Sashlock Case (Radius)	72 x 60mm	SSS, PSS
XS1304	Bath Sashlock Case (Radius)	78 x 60mm	SSS, PSS
XS1302	Latch (Radius)	72 x 60mm	SSS, PSS



SA393

SA222



SA212

SA303

SA393

104MM SPECIFIER SERIES ACCESSIBLE LOCK CASES

Code	Description	Size	Finish
SA222	Euro Sashlock Case	74 x 50 or 94 x 70mm	SSS
SA212	Euro Deadlock Case	74 x 50 or 94 x 70mm	SSS
SA303	Latch Case	74 x 50 or 94 x 70mm	SSS
SA400	Bathroom Sashlock Case	74 x 50 or 94 x 70mm	SSS
SA393	Emergency Nightlatch Case	74 x 50 or 94 x 70mm	SSS
SA323	Deadlocking Nightlatch c/w Hold Back Snib Case	74 x 50 or 94 x 70mm	SSS
SA383	Deadlocking Nightlatch	74 x 50 or 94 x 70mm	SSS



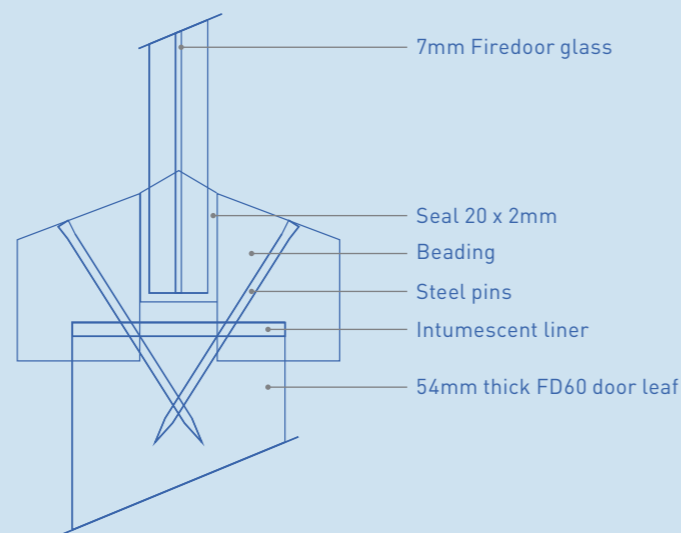
ELECTRIC PRIVACY PANELS

Instant Privacy Privi-See+ is an electronic fire rated privacy panel which switches from clear to opaque in an instant.

Powered by Powervision embedded within the door, Privi-See+ is activated by either a key on the exterior or by button on the interior, providing the right control for the environment.

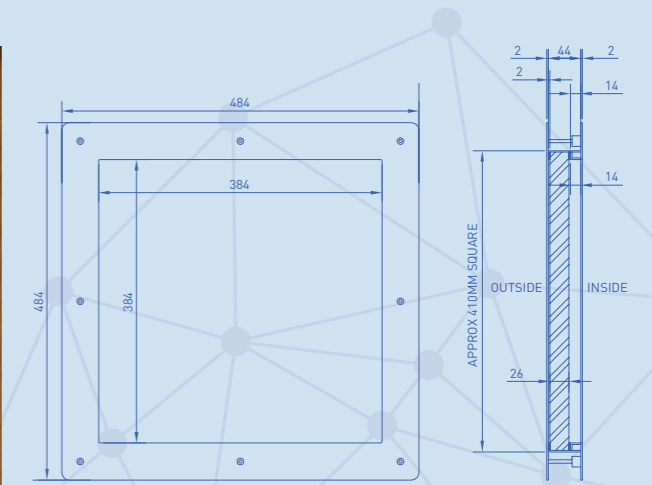
Privi-See+ benefits:

- Non-mechanical solution
- Minimal moving parts
- Key and button control options
- Completely clear when 'open'
- Easy to install
- Improved acoustic performance
- Fire resistant
- Fits with standard framework
- Maintenance free

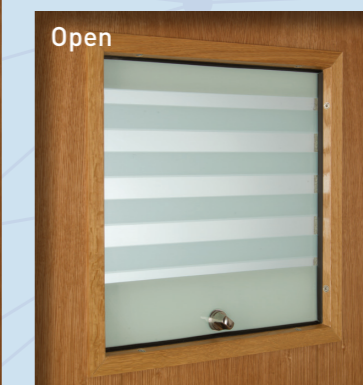


Dimensions: 10mm toughened glass.

Due to the fact that the frosting is a non mechanical solution it can be produced to any size you require.



Example shown: 404 X 404mm panel with Stainless Steel frame on 44mm door



PRIVACY VISION PANELS

Description: Fire Rated Privacy Vision Panel complete with anti-ligature turn operation one side and key operation to the other side.

- Rounded corners and bevelled edge return (SSS)
- Tamper proof screws
- Unique 25mm vision aspect
- Bolt through system

Code	Frame	Door thickness	Dimensions	Finish	Fire
[CODE]	Timber Bead	22mm	800 x 250mm	Glass/SSS	FD30
[CODE]	Timber Bead	22mm	800 x 250mm	Glass	FD60
[CODE]	Stainless Steel	39-60mm	800 x 250mm	Glass	FD30
[CODE]	Stainless Steel	39-60mm	800 x 250mm	Glass/SSS	FD60
[CODE]	Timber Bead	22mm	404 x 404mm	Glass/SSS	FD30
[CODE]	Timber Bead	22mm	404 x 404mm	Glass	FD60
[CODE]	Stainless Steel	39-60mm	404 x 404mm	Glass/SSS	FD30
[CODE]	Stainless Steel	39-60mm	404 x 404mm	Glass/SSS	FD60

Datim Supplies

Datim supply a wide range of architectural ironmongery, doorsets, multi-unit mailboxes and access control products. We hold thousands of items in stock for same or next day delivery and operate a trade counter facility, allowing customers to call in and pick up items from stock. We pride ourselves on our dedication to customer service, which has helped us maintain a loyal customer following for many years.

Our regularly updated website www.datim.co.uk, provides our customers with the latest business and product news to hit the market. Product enquiries can be sent directly to the Datim sales team via our website and literature can be requested, viewed or downloaded online.

Our experienced team is always ready to help with any technical or product sourcing questions, to ensure your job runs smoothly. All orders, whether big or small, are packed by hand and double checked for accuracy and quality before leaving our warehouse. This attention to detail ensures a reliable service for all our valued customers.



DATIM

Architectural Ironmongery Traditional Values Meets Contemporary Design

Datim Supplies

Foxwood Industrial Park
Foxwood Road
Chesterfield
S41 9RN

Tel: **01246 572277**
Fax: **01246 572270**
Email: sales@datim.co.uk
Web: www.datim.co.uk

At the time of publication, all information within this brochure is a true and accurate representation of the products and services offered by Datim Supplies.