



DATIM

WASHROOM
Regal RANGE



Regal WASHROOM RANGE

Welcome to our new washroom brochure. DATIM have supplied washroom products since 1998 to many global hospitality and care sector clients. And have become a trusted supplier to the likes of Starbucks, Hilton hotels and Barchester care homes. This range we have pulled together is our top selling products and key specification items. We hope this helps you simplify the specification on your projects.

Stocking over 1.5M worth of door hardware and washroom product, we can certainly be your trusted supplier on national roll out schemes. Offering you an outstanding service.

Contents

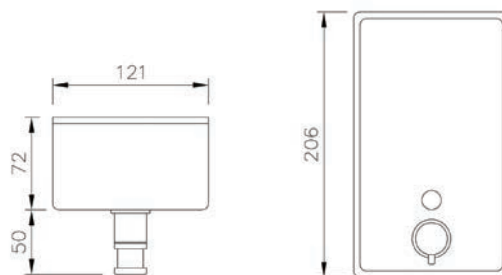
Soap Dispensers	4	Disabled Toilet Door Handles	10
Toilet Roll Holder	6	Grab/Support Rails	11
Paper Towel Dispenser	8	Wastebins	12
Baby Changing Unit	9	Hooks	15

1200ml Vertical Soap Dispenser



FEATURES

- Manufactured from cast 304 grade stainless steel
- 1200ml capacity - bulk fill
- Lockable
- Suitable for standard liquid hand soap only
- Doc M Compliant
- Satin stainless steel finish



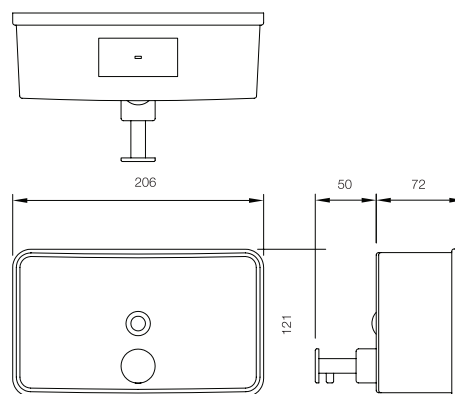
Code	Description	Finish
5975V.SSS	1200ml Vertical Soap Dispenser	Satin Stainless Steel (SSS)
5975V.PSS	1200ml Vertical Soap Dispenser	Polished Stainless Steel (PSS)

1200ml Horizontal Soap Dispenser



FEATURES

- Manufactured from cast 304 grade stainless steel
- 1200ml capacity - bulk fill
- Lockable
- Suitable for standard liquid hand soap only
- Doc M Compliant
- Satin stainless steel finish



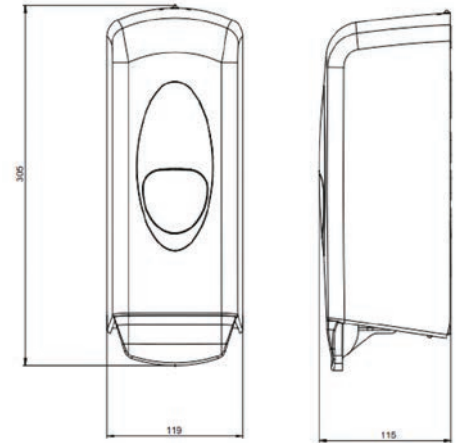
Code	Description	Finish
5976H.SSS	1200ml Horizontal Soap Dispenser	Satin Stainless Steel (SSS)
5976H.PSS	1200ml Horizontal Soap Dispenser	Polished Stainless Steel (PSS)

1000ml Manual Soap Dispenser



FEATURES

- Made in the UK
- High quality ABS
- 1ml lotion pump – 1000 dispenses
- Clean tip pump, no drips
- Stylish design
- Bulk 1 litre tank with lid
- Interchangeable with cartridge soaps



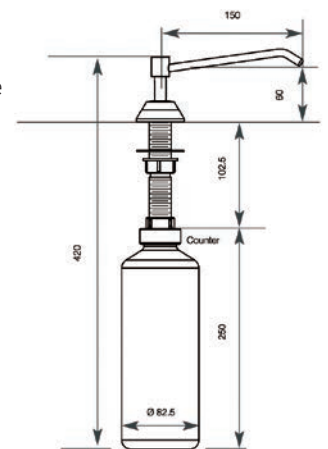
Code	Description	Finish
5979.1000.WH	1000ml Manual Soap Dispenser	White

500ml Counter Top Soap Dispenser



FEATURES

- Mounted through countertop or basin for the ultimate prestigious washroom
- Robust chrome plated brass body
- Polished chrome finish
- Lockable
- Hole Ø in counter: 25mm
- Convenient counter top filling
- Supplied complete with 1,000ml bottle
- Non rotating
- Quality non-drip pump
- Please note – not suitable for use with a multifeed system
- Uses Standard Liquid Hand Soap and Anti Bacterial Soap
- 3 spout lengths available



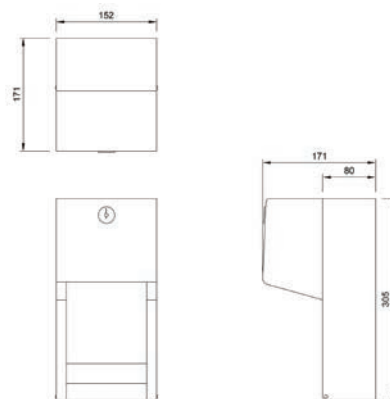
Code	Description	Finish
5978.100.PSS	500ml Counter Top Soap Dispenser 100mm	Polished Stainless Steel (PSS)
5978.125.PSS	500ml Counter Top Soap Dispenser 125mm	Polished Stainless Steel (PSS)
5978.150.PSS	500ml Counter Top Soap Dispenser 150mm	Polished Stainless Steel (PSS)

Surface Double Toilet Roll Holder



FEATURES

- Quality 304 grade stainless steel construction
- Satin or polished finish
- Lockable
- Dispenses two x toilet rolls up to 135mm diameter
- Reserve roll drops in place automatically



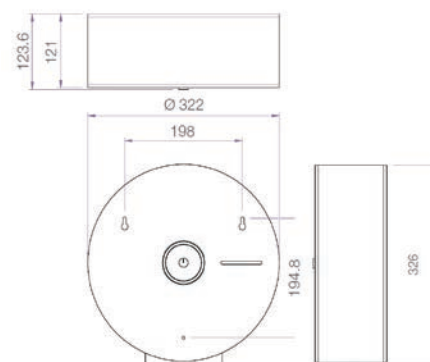
Code	Description	Finish
5960.SSS	Surface Double Toilet Roll Holder	Satin Stainless Steel (SSS)
5960.PSS	Surface Double Toilet Roll Holder	Polished Stainless Steel (PSS)

Maxi Jumbo Toilet Roll Holder



FEATURES

- Quality 304 grade stainless steel construction
- Lockable
- Core size diameter: 2 1/4"
- Dispenses 400m jumbo toilet rolls



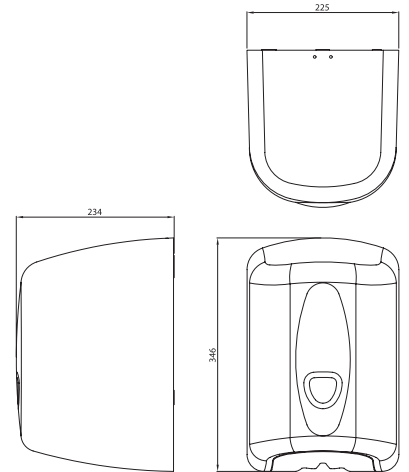
Code	Description	Finish
5964.SSS	Maxi Jumbo Toilet Roll Holder	Satin Stainless Steel (SSS)
5964.PSS	Maxi Jumbo Toilet Roll Holder	Polished Stainless Steel (PSS)

320mm Centre Feed Paper Roll Dispenser



FEATURES

- Lockable Dispenser
- Maximum roll size – 230mm high and 220mm diameter
- Suitable for most industrial areas, garages, service stations, schools, kitchens etc.



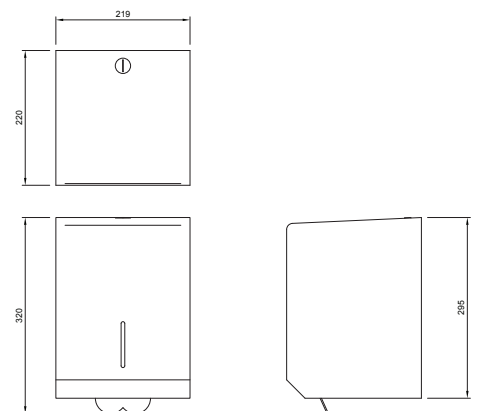
Code	Description	Finish
5986.CF.WH	320mm Centre Feed Paper Roll Dispenser	White

320mm Centre Feed Paper Roll Dispenser



FEATURES

- Manufactured from 304 grade stainless steel
- Can be filled with centrefeed paper rolls only
- Lockable



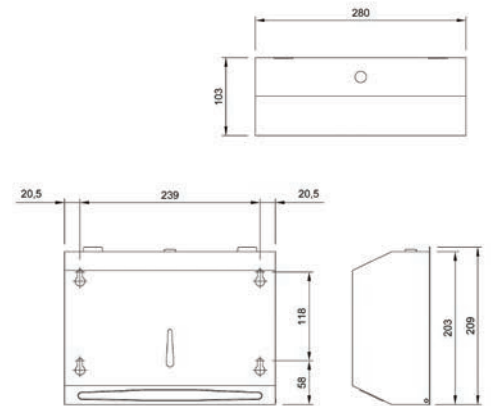
Code	Description	Finish
5986.CF.SSS	320mm Centre Feed Paper Roll Dispenser	Satin Stainless Steel (SSS)
5986.CF.PSS	320mm Centre Feed Paper Roll Dispenser	Polished Stainless Steel (PSS)

250cc C-Fold Paper Towel Dispenser



FEATURES

- Lockable paper towel dispenser
- High quality 304 grade satin stainless steel
- Ideal for smaller washrooms
- Holds 250 C-fold or multi-fold towels



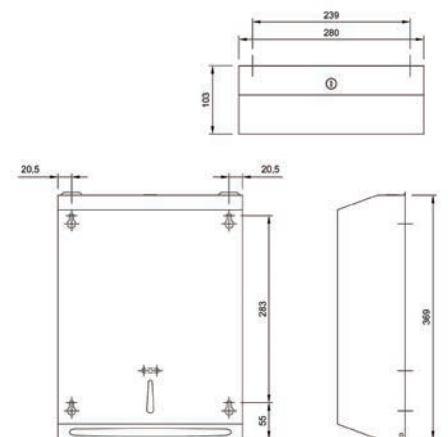
Code	Description	Finish
5983.250.SSS	250cc C-Fold Paper Towel Dispenser	Satin Stainless Steel (SSS)
5983.250.PSS	250cc C-Fold Paper Towel Dispenser	Polished Stainless Steel (PSS)

450cc C-Fold Paper Towel Dispenser



FEATURES

- Manufactured from 304 grade stainless steel
- Can be filled with folded paper towels only
- Lockable
- Doc M compliant



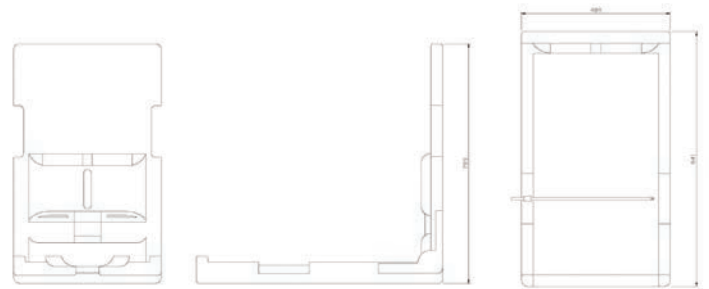
Code	Description	Finish
5984.450.SSS	450cc C-Fold Paper Towel Dispenser	Satin Stainless Steel (SSS)
5984.450.PSS	450cc C-Fold Paper Towel Dispenser	Polished Stainless Steel (PSS)

Vertical Baby Changing Unit



FEATURES

- Designed for age up to 3.5 years and weight less than 22.7kg (50lb)
- Pneumatic gas shock mechanism to ensure smooth and safe opening and closing
- With integrated liner dispenser
- The unit meets all of the standards of EN 12221:2008+A1:2013 (minus clause 4.1)
- Doc M Compliant
- EZ Mount™ Backer plate is an optional extra
- Spare straps available (XS00005894)



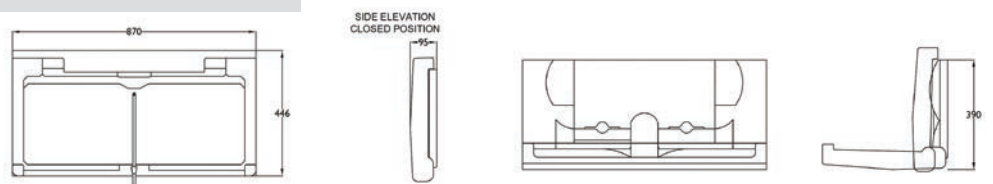
Code	Description	Finish
5996.WH	Vertical Baby Changing Unit	White

Horizontal Baby Changing Unit



FEATURES

- Designed for age up to 3.5 years and weight less than 22.7kg (50lb)
- Pneumatic gas shock mechanism to ensure smooth and safe opening and closing
- With integrated liner dispenser
- The unit meets all of the standards of EN 12221:2008+A1:2013 (minus clause 4.1)
- Doc M Compliant
- EZ Mount™ Backer plate is an optional extra
- Spare straps available (XS00005894)
- 95mm projection from the wall when closed



Code	Description	Finish
5995.WH	Horizontal Baby Changing Unit	White

Disabled Toilet Radar Lift-to-Lock Set - Fully Reversible



FEATURES

The Disabled lockset has many unique design features to offer ease of installation and user friendly functionality. The lock body incorporates a simplified internal mechanism to ensure a smooth and light pressure operation by any existing National Key Scheme (NKS) key. In addition the key can be turned in either direction to withdraw the latch providing added assistance to less dexterous users.

- Stainless steel construction.
- 19mm return to door safety lever handle.
- Universal fit - No handing requirements.
- Bolt through fixings with anti tamper external heads.
- External status indicator and emergency release.

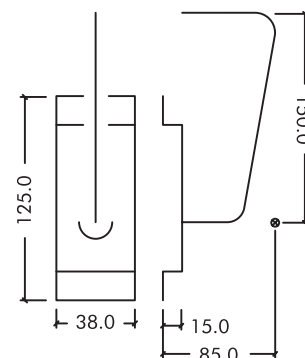
Code	Description	Finish
5956.SSS	Disabled Toilet Radar Lift-to-Lock Set - Fully Reversible	Satin Stainless Steel (SSS)

Reversible Disabled Toilet Facility Set



FEATURES

- Reversible handing function
- 304 Grade material
- Satin stainless steel finish as standard
- Supplied with keeps for both hinged & sliding doors
- Full accessory pack included
- Fire tested suitable for 30 & 60 min timber doors
- Complies to the design requirements of BS8300
- 10 year mechanical guarantee



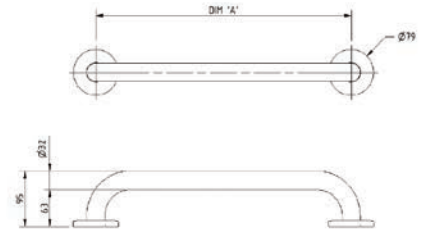
Code	Description	Finish
5953.SSS	Reversible Disabled Toilet Facility Set	Satin Stainless Steel (SSS)

Grab Rail



FEATURES

- Non-corrosive stainless steel construction
- Concealed fixings
- Complies with Part M of the Building Regulations
- Suitable for wet areas
- Doc M Compliant
- Max rated load 200kg
- Concealed fixings



450MM GRAB RAIL

Code	Description	Finish
5951.450.SSS	32 x 450mm Grab Rail	Satin Stainless Steel (SSS)
5951.450.PSS	32 x 450mm Grab Rail	Polished Stainless Steel (PSS)
5951.450.WH	32 x 450mm Grab Rail	White (WH)

Other colours available on request.

600MM GRAB RAIL

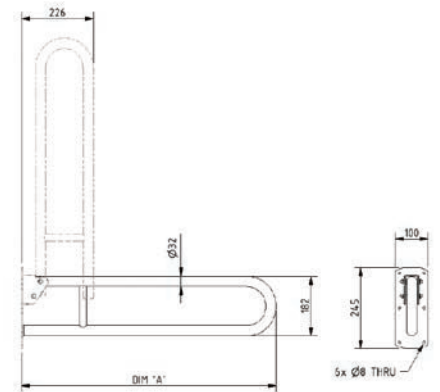
Code	Description	Finish
5951.600.SSS	32 x 600mm Grab Rail	Satin Stainless Steel (SSS)
5951.600.PSS	32 x 600mm Grab Rail	Polished Stainless Steel (PSS)
5951.600.WH	32 x 600mm Grab Rail	White (WH)

800mm Hinged Support Rail



FEATURES

- Complies with Part M of the Building Regulations
- Lift and lock folding mechanism
- Non-corrosive stainless steel construction
- Toilet roll holder (optional)
- Suitable for wet areas
- Doc M Compliant
- Max rated load 135kg
- Concealed fixings



Code	Description	Finish
5950.800.SSS	800mm Hinged Support Rail	Satin Stainless Steel (SSS)
5950.800.PSS	800mm Hinged Support Rail	Polished Stainless Steel (PSS)
5950.800.WH	800mm Hinged Support Rail	White (WH)

30L Wastebin c/w Chute Lid



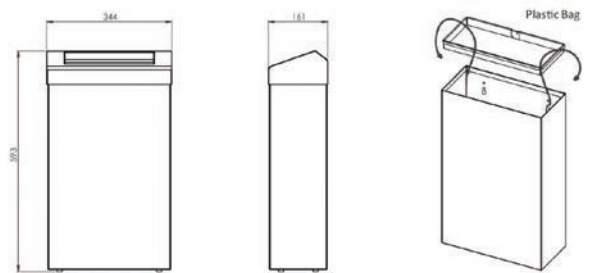
FEATURES

This stylish and high quality waste bin will take all general and paper waste in all areas.

The non-intrusive extra slim design makes this waste bin perfect for small and restrictive spaces.

The chute style lid has been designed to make disposing of waste effortless making for a better and cleaner environment. Can be easily placed free standing or wall mounted.

- Made in a quality brushed stainless steel finish.
- Free Standing or Wall Mounted Wastebin
- Brushed Stainless Steel
- 304 Grade Stainless Steel
- Bag Strap For Liner



Code	Description	Dimensions	Finish
5998.593.SSS	30L Wastebin c/w Chute Lid	593 x 344 x 161mm	Satin Stainless Steel (SSS)

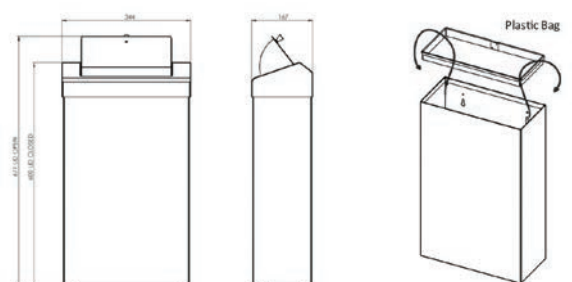
30L Sanitary Wastebin



FEATURES

This stylish and high quality sanitary waste bin has non-intrusive extra slim design. The bins dimensions make this sanitary waste bin perfect for small and restrictive spaces. The vanity chute style lid has been designed to hide discarded waste and to make disposing waste effortless. This unit can be easily placed free standing or wall mounted for extra security.

- Made in a quality brushed stainless steel finish.
- Free Standing or Wall Mounted Wastebin
- Brushed Stainless Steel
- 304 Grade Stainless Steel
- Bag Strap For Liner



Code	Description	Dimensions	Finish
5999.671.SSS	30L Sanitary Wastebin	671 x 344 x 167mm	Satin Stainless Steel (SSS)

30L Wastebin c/w Flap Lid



FEATURES

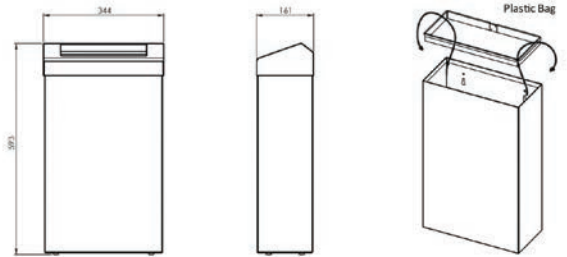
This stylish and high quality waste bin will take all general and paper waste in all commercial areas.

The non-intrusive extra slim design makes this waste bin perfect for small and restrictive spaces.

Equipped with a flap bin lid to make the overall finish look slick and neat whilst helping to stop any odours and viewing any waste. After each use of the bin the counter balance flap returns to it's closed position.

The lid is easily removed to make disposing of waste effortless and making for a better, cleaner environment. Can be easily placed free standing or wall mounted for extra security.

- Made in a quality brushed stainless steel finish.
- Free Standing or Wall Mounted Wastebin
- Counter balanced flap bin lid
- Brushed Stainless Steel
- 304 Grade Stainless Steel
- Internal bag strap for liner
- Ideal for commercial kitchens and washrooms



Code	Description	Dimensions	Finish
5998A.593.SSS	30L Wastebin c/w Flap Lid	593 x 344 x 161mm	Satin Stainless Steel (SSS)

50L Wastebin c/w Chute Lid

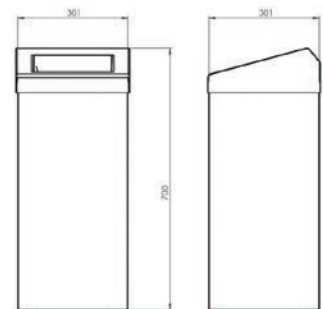


FEATURES

This stylish and high quality waste bin will take all general and paper waste in all high traffic and commercial areas.

The chute style lid has been designed to make disposing waste effortless, increasing a better and cleaner environment. The unit can either be free standing or wall mountable for extra security.

- Made in a quality brushed stainless steel finish.
- Free Standing or Wall Mounted Wastebin
- 304 Grade Stainless Steel
- Bag Strap For Liner



Code	Description	Dimensions	Finish
5998.700.SSS	50L Wastebin c/w Chute Lid	700 x 311 x 308mm	Satin Stainless Steel (SSS)

50L Wastebin c/w Flap Lid



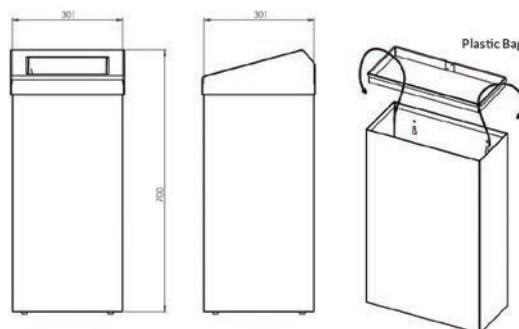
FEATURES

This stylish and high quality waste bin will take all general and paper waste in all high traffic and commercial areas.

Equipped with a flap bin lid to make the overall finish look slick and neat whilst helping to stop any odours and viewing any waste. After each use of the bin the counter balance flap returns to it's closed position.

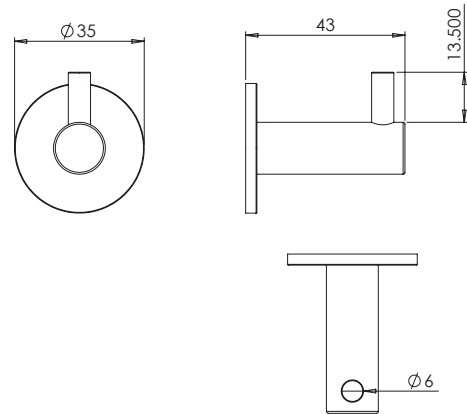
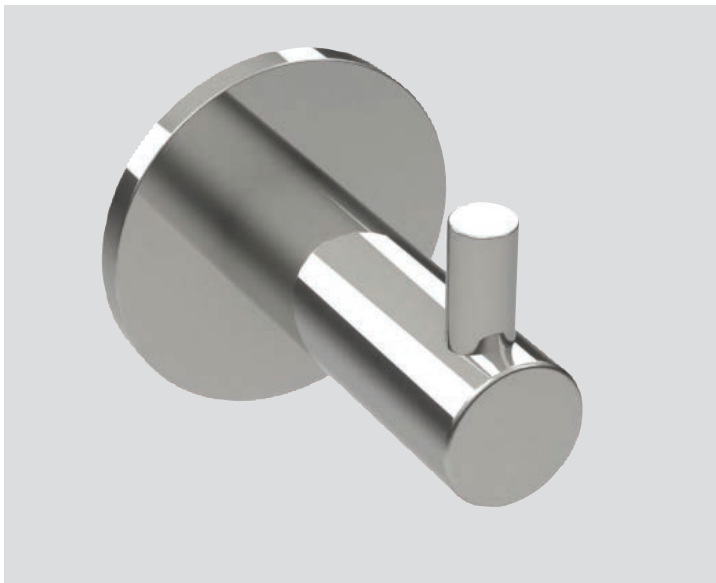
The lid is easily removed to make disposing of waste effortless and making for a better, cleaner environment. Can be easily placed free standing or wall mounted. The unit can either be free standing or wall mountable for extra security.

- Free Standing or Wall Mounted Wastebin
- Counter balanced flap bin lid
- Brushed Stainless Steel
- 304 Grade Stainless Steel
- Internal bag strap for liner
- Ideal for commercial kitchens and washrooms



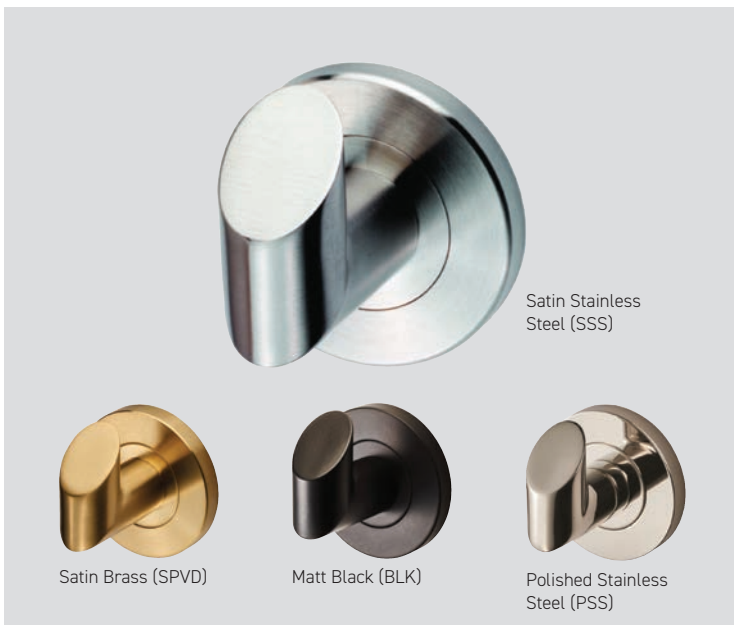
Code	Description	Dimensions	Finish
5998A.700.SSS	50L Wastebin c/w Flap Lid	700 x 310 x 308mm	Satin Stainless Steel (SSS)

Designer Coat Hook



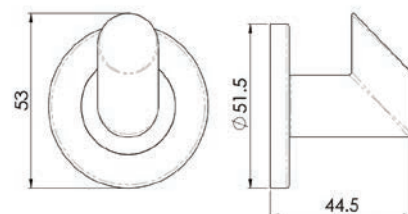
Code	Description	Finish
D271.14.S316	Designer Coat Hook	Satin Stainless Steel (S316)
D271.14.WH	Designer Coat Hook	White (WH)
D271.14.BLK	Designer Coat Hook	Black (BLK)
D271.14.P316	Designer Coat Hook	Polished Stainless Steel (P316)

Stainless Steel Robe Hook



FEATURES

A petite angled face robe hook on a concealed fix rose. A contemporary modern range of stylish bathroom fittings in Grade 316 Stainless Steel . Each component comes with fixing screws, wallplugs and concealed fixing plate.



Code	Description	Finish
D279.S316	Stainless Steel Robe Hook	Satin Stainless Steel (S316)
D279.P316	Stainless Steel Robe Hook	Polished Stainless Steel (P316)
D279.BLK	Stainless Steel Robe Hook	Matt Black (BLK)
D279.SPVD	Stainless Steel Robe Hook	Satin Brass (SPVD)

Did you know? – DATIM also supply

- Architectural Ironmongery / Door Hardware
- Fire Door Seals, mastic and foam
- Kick plates and chequer plate wall protection (in-house manufacturing)
- Access Control

Speak with our team for further product information



01246 572277 | ironmongery@datim.co.uk

DATIM Limited Foxwood Industrial Park,
Foxwood Road, Chesterfield, S41 9RN

datim.co.uk